

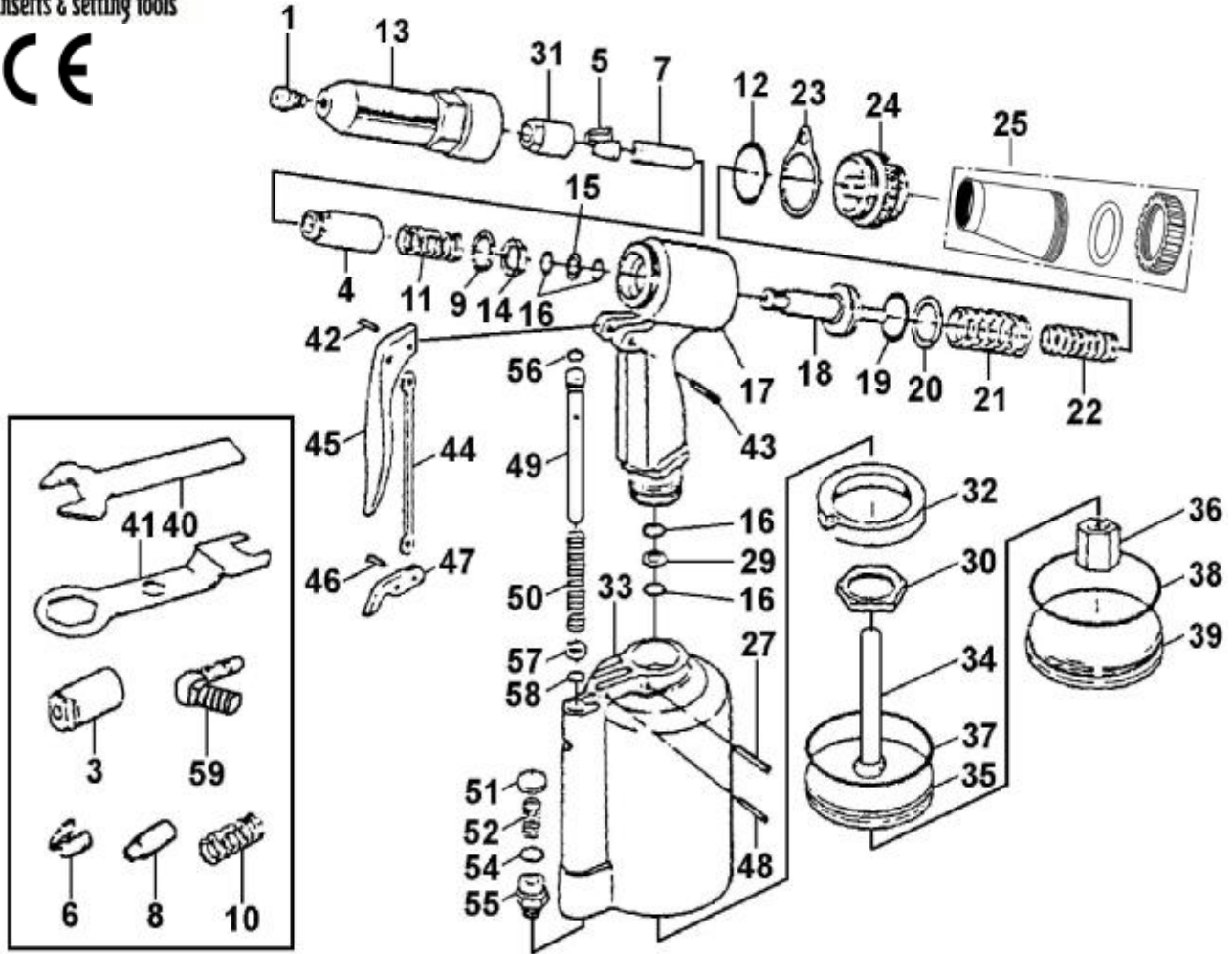


Rivets, inserts & setting tools



# Instructions and Parts List - #79060

## V-4 AIR / HYDRAULIC RIVETER TOOL



Ref. No.	Part No.	Description	Q'ty /Tool	Ref. No.	Part No.	Description	Q'ty /Tool	Ref. No.	Part No.	Description	Q'ty /Tool
1	95835	Nosepiece (1/4")	1	18	95850	Oil Piston	1	42	95873	Connector	1
	95897	Nosepiece (3/32")	1	19	95851	O-Ring 23.7x3.5	1	43	95889	Hander Pin	1
	95898	Nosepiece (1/8")	1	20	95852	Back Up Ring	1	44	95977	Trigger Rod	1
	95899	Nosepiece (5/32")	1	21	95853	Return Spring (Large)	1	45	95978	Trigger	1
	95900	Nosepiece (3/16")	1	22	95854	Return Spring (Samll)	1	46	95875	Connector	1
3	95837	Jaw Case Front Tart (for 3/32", 1/8", 5/32")	1	23	95855	Hanging Clip	1	47	95877	Trigger Lever	1
				24	95856	Frame Cap	1	48	95864	Lever Pin	1
4	95843	Jaw Case Rear	1	25	95908	Safety Cap	1	49	95979	Valve Pusher 99	1
5	95839	Jaw (large)	1 set	27	95863	Frame Setting Pin	1	50	95980	Valve Spring	1
6	95840	Jaw (small)	1set	29	95971	Back Up Ring	1	51	95981	Valve	1
7	95841	Jaw Pusher for 1/4", 3/16"	1	30	95972	Frame Lock Nut	1	52	95982	Valve Spring	1
8	95842	Jaw Pusher for 3/32", 3/32", 1/8", 5/32"	1	31	95838	Jaw Case Front for 1/4",3/16"	1	54	95983	O-Ring 10.8x2.4	1
				32	95973	Rubber Cushion	1	55	95964	Valve Cap	1
9	95846	Case Washer Ring	1	33	95974	Air Cylinder	1	57	95965	Valve Collar	1
10	95844	Spring (5/32")	1	34	95990	Air Piston Stem	1	58	95986	O-Ring 4.8x1.9	1
11	95845	Spring (1/4")	1	35	95889	Air Piston	1	59	95987	Inlet Bushing Nut	1
12	95780	O-Ring 27X2	1	36	95870	Air Piston Lock Nut	1	RK	95988	Repair Kit Ref. No.-- 5, 6, 10, 11, 20, 21, 22	
13	95836	Frame Head	1	37	95868	O-Ring 69.6x5.7	1				
14	95847	Case Lock Nut	1	38	95871	O-Ring 73x2.8	1				
15	95849	Back Up Ring	1	39	95872	Cylinder Cap	1	SK	95989	Service Kit Ref.No.-- 10, 11, 12, 16(x4), 19, 37, 38, 50, 52, 54, 56, 58	
16	95848	O-Ring 11.8x2.4	1	40	95894	Spanner Gauge	1				
17	95970	Frame	4	41	95976	Spanner	1				