

POP[®] Rivet Tool Manual

Rivet Presenter Operator's Manual

Introduction

Thank you for choosing the Emhart Teknologies Rivet Presenter.

The Rivet Presenter increases productivity by delivering a rivet from a bulk reservoir directly to the nose of your POP[®] Rivetool freeing one hand to hold and position the work piece.

Models	Rivet Size	Max. Length
RP4	1/8" (3.2mm) diameter rivets	46
RP4-E	1/8" (3.2mm) diameter rivets	46
RP5	5/32" (4mm) diameter rivets	56
RP5-E	5/32" (4mm) diameter rivets	56
RP6	3/16" (4.8mm) diameter rivets	66
RP6-E	3/16" (4.8mm) diameter rivets	66

Rivet Presenters must be used with a POP[®] Rivetool equipped with a vacuum Mandrel Collection System.

Specifications

Overall Size	13 1/4" (337mm) High 21 3/4" (553mm) Long 8 3/4" (223mm) Wide
Empty Weight	Approx. 23lbs (~10.5 Kg)
Electrical Requirements – RP4, RP5, RP6	110VAC, 50-60 Hz, 0.5 Amp
RP4-E, RP5-E, RP6-E	240VAC, 50-60 Hz, 0.25 Amp
Air Supply Requirements	70-90 PSI (4.8-6.1 Bar) dry, filtered
Approximate Rivet Capacity	RP4, RP4-E ~ 1000 rivets RP5, RP5-E ~ 800 rivets RP6, RP6-E ~ 600 rivets

Receptacle Choices

Tool	Receptacle Part No.	Use for These Rivets
MCS510	RP4-486	1/8" (3.2mm), 5/32" (4mm)
MCS5201	RP4-486	1/8" (3.2mm), 5/32" (4mm)
MCS1500	RP4-486	1/8" (3.2mm), 5/32" (4mm)
MCS510	RP6-486	3/16" (4.8mm)
MCS5201	RP6-486	3/16" (4.8mm)
MCS5200	RP4-501	1/8" (3.2mm), 5/32" (4mm)
MCS540	RP4-501	1/8" (3.2mm), 5/32" (4mm)
MCS5200	RP6-501	3/16" (4.8mm)
MCS540	RP6-501	3/16" (4.8mm)
MCS5400	RP6-110	3/16" (4.8mm)

Safety Instructions

TO INSURE PROPER FUNCTIONING AND SAFE OPERATION READ THIS MANUAL CAREFULLY BEFORE SETTING UP OR OPERATING THE RIVET PRESENTER UNIT

DO

- Always wear eye protection.
- Operate this system in a Clean, Dry environment.
- Use Caution when connecting or disconnecting Air and Electrical power.
- Keep hair and fingers away from rivet loading area.
- Disconnect Air and Electric power before servicing or relocating the unit.
- Use only extension cords rated for operating current.

DO NOT

- Do Not operate this unit outdoors.
- Do Not wear loose clothing or jewelry that may get caught in moving parts.
- Do Not attempt to move the unit by pulling on air or electric lines.
- Do Not remove any covers or operate the unit with any covers removed.
- Do Not put fingers or objects other than POP tool Nose Housing into the Receptacle.

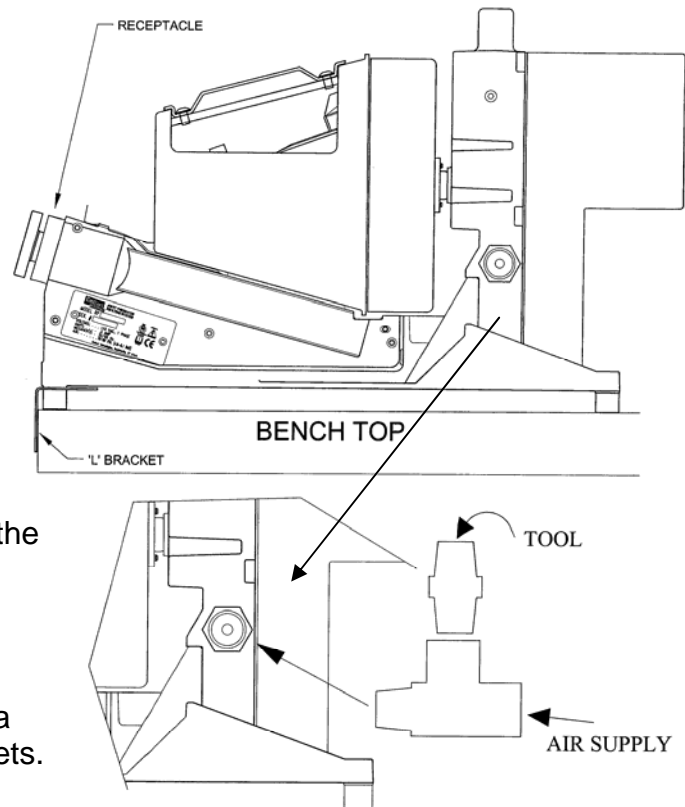
Getting Started

After unpacking from the shipping materials, set the unit on the bench-top. Unscrew the front Foot Pad and L bracket, turn L bracket over, and screw Foot Pad back into place. This provides a stop so the unit does not move backward in use.

Connect the air supply. An optional Tee fitting and Hex Nipple are supplied so that a single air line may be used to power both the Rivet Presenter and the Rivetool.

Plug in the Electric Power cord and turn on the Power Switch.

Add rivets to the Reservoir up to the fill line shown inside. Insert the Rivetool into the Presenter Receptacle and hold in place for a few minutes to allow the Track to fill with rivets. You are now ready to work.



Unit Operation

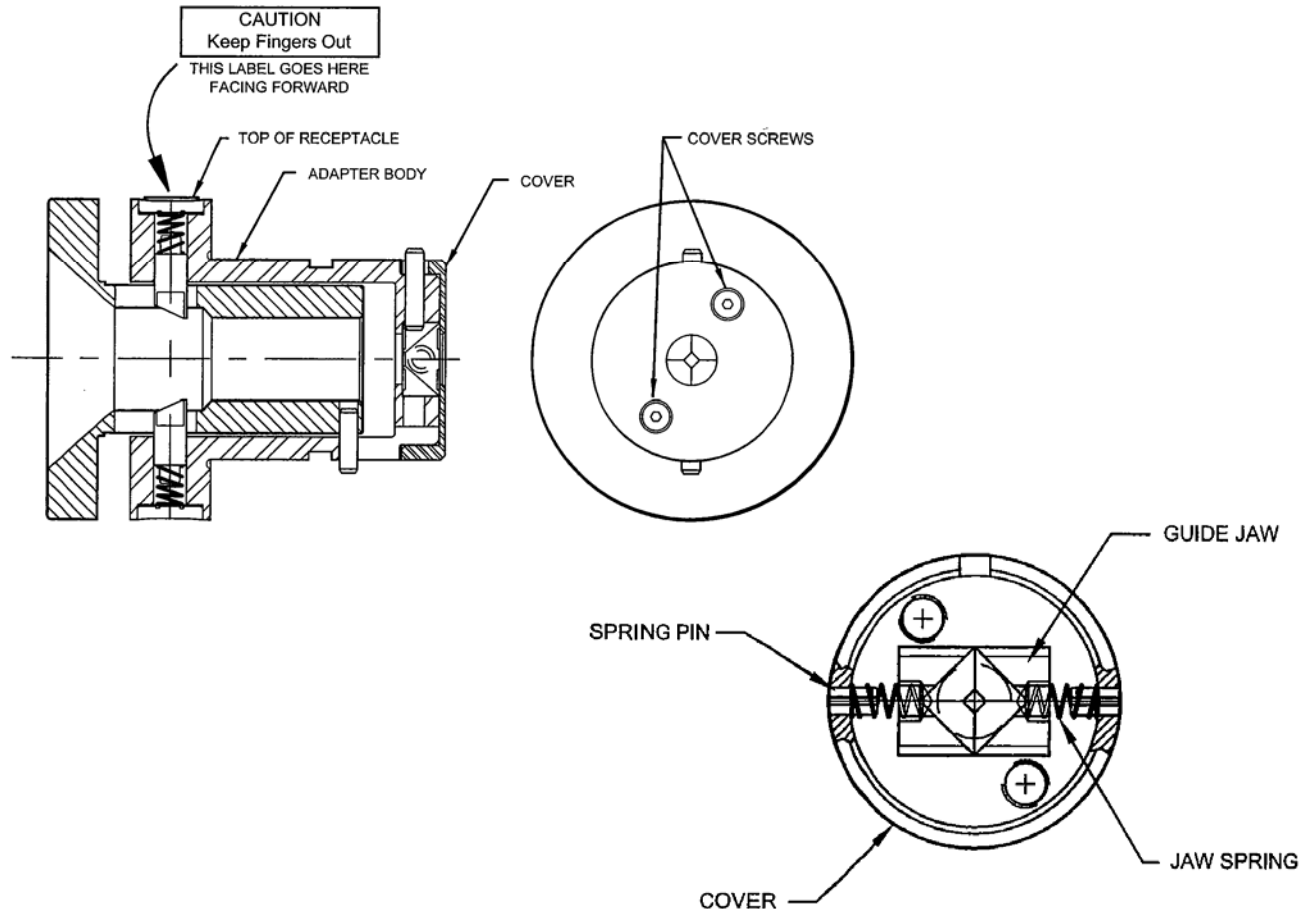
Insert the nose of the Rivet Setting Tool into the Rivet Presenter Receptacle and push it in to activate the unit. Remove the tool and rivet.

When the tool is inserted into the Presenter the Feed Drum starts rotating and dropping rivets into the track Orientation Plate. At the same time one air cylinder moves the Index Head at the bottom of the Rivet Track, allowing one rivet to drop into the Bottom Chamber. Another air cylinder pushes the dropped rivet into the Tool Nosepiece. The vacuum Mandrel Collection System of the Tool holds the rivet into the Nosepiece when the tool is removed from the Presenter.

For safest operation, be sure to keep Spring Guard in place and Reservoir Cover closed.

Care and Maintenance

In normal use, occasional cleaning of the Receptacle is all that is usually required. Remove the Receptacle from the unit by unscrewing the Thumbscrew and sliding the Receptacle out. Remove the two screws holding the back cover on and Carefully remove the Cover. **NOTE:** Take care not to lose the Guide Jaws and Springs inside.



Re-Assembly Hint: Assemble the Guide Jaws and Springs in place as shown and hold them in place with the allen wrench used for the two screws. Put this in place on the Adapter Assembly, Jaws in the slot, and slowly remove the wrench from the slot. The Cover Assembly should seat fully to allow attachment of the Cover Screws.

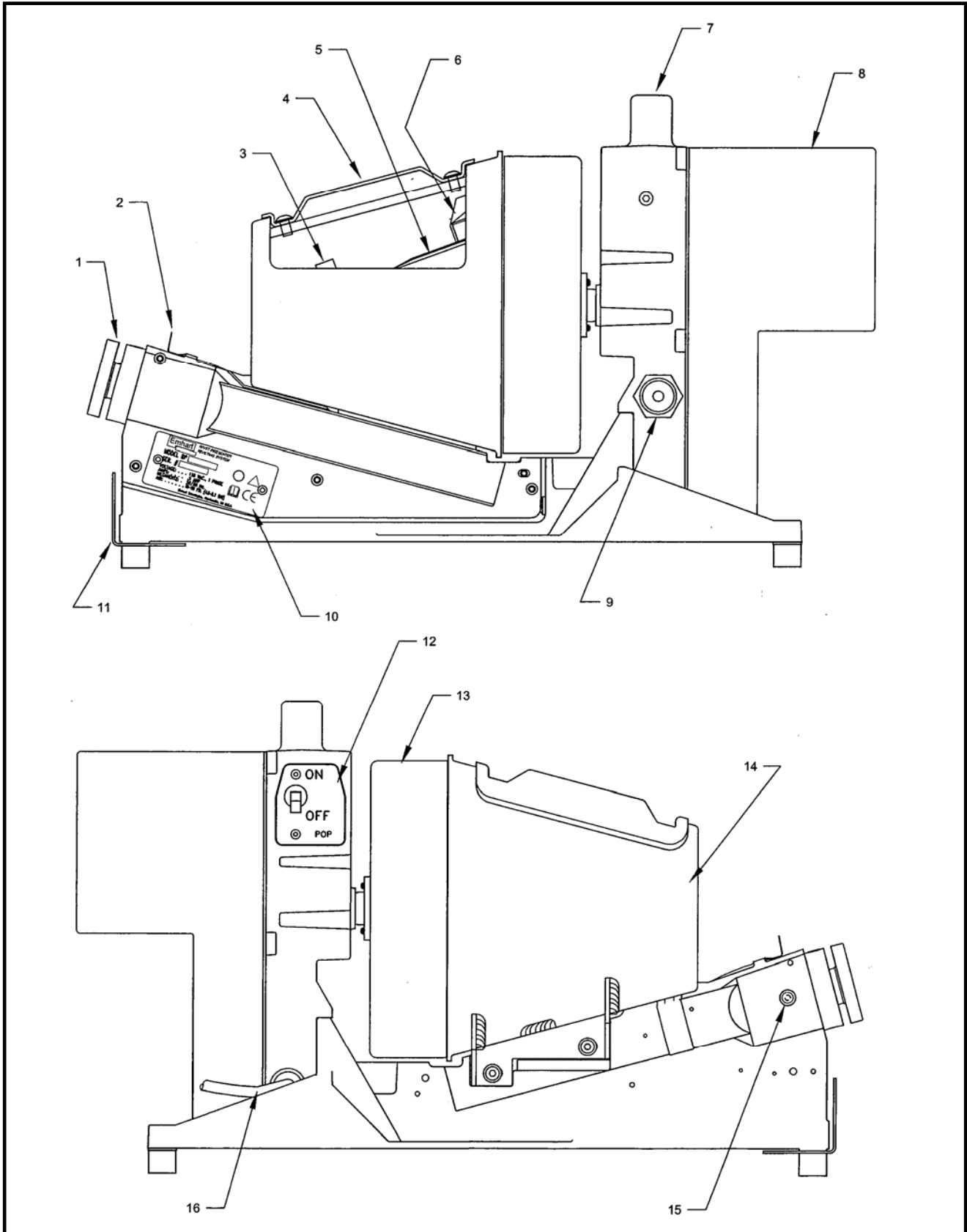
When cleaning the Receptacle Assembly, wipe off dirt from the surfaces of the Guide Jaws, and the Guide Jaw Slot in the Adapter Body. Lubrication of the Guide Jaws is not recommended. **Do Not** use grease or solid lubrication on these surfaces as this will collect dirt and inhibit smooth operation.

Troubleshooting

Trouble	Probable Cause	Remedy
Feed Drum does not rotate	Power disconnected or switched off	Plug in Power Cord, switch on power and insert Rivetool
Feed Drum rotates but rivet is not inserted	Air supply disconnected or shut off	Check air supply and valve
Unit activates but rivet is not inserted into tool	Rivetool MCS is not switched on Unit was activated more than once without removing tool Between activations, two or more rivets are Stuck in Receptacle Guide Jaws	Slide switch on Remove Receptacle and clear rivets Position Presenter for easier direct insertion of Tool

Item	Description
1	Receptacle Assembly
2	Guard Spring
3	Rivet Escapement Assembly
4	Reservoir Cover
5	Rivet Track Assembly
6	Orientation Plate
7	Handle
8	Gear Motor Cover
9	Air Inlet
10	Specification Label
11	Bench Stop L Bracket
12	On / Off Switch
13	Feed Drum
14	Rivet Reservoir
15	Thumbscrew
16	Electrical Power Cord

Troubleshooting





THE AMERICAS

United States

Connecticut

50 Shelton Technology Center
P.O. Box 859
Shelton, CT 06484 USA
Tel. 203-924-9341
Fax. 800-225-5614

Canada

9870 boul. du Golf
Anjou, Québec H1J 2Y7
Tel. 514-351-0330
Fax. 514-351-0458

Brazil

Rua Ricardo Cavatton, 226 - LAPA
CEP 05038-110
Sao Paulo, SP
Tel. +55 11 3871-6460
Fax +55 11 3611-3508

Mexico

Bosque de Radiatas No 42
Bosques de las Lomas
05120 México, D.F.
Tel. +52-55-5236-7100
Fax. +52-55-5326-7141

EUROPE

Denmark

Farverland 1B
DK-2600 Glostrup
Tel. +45-44 84 11 00
Fax. +45-44 84 62 12

Finland

Hyttmästargränden 4
FIN 02780 Esbo
Tel. +358 9 8190060
Fax. +358 9 812428

France

Z.A. des Petits Carreaux
Bâtiment Haute Technologie N° 8 Lot 2
Bis, Avenue des Coquelicots 94385
BONNEUIL-SUR-MARNE
Tel. 33-1-56-71-24-24
Fax. 33-1-56-71-24-34

Norway

Postboks 153, Leirdal
1009 Oslo
Tel. +47 22909990
Fax. +47 22909980

Spain

Carretera M300, Km. 29,700
28802 Alcalá de Henares
Madrid, Spain
Tel. 34-91-887-1470
Fax. 34-91-881-7278

Sweden

Skjutbanevägen 6
S-701 44 Örebro
Sweden
Tel. +46 19 2058000
Fax. +46 19 260038

United Kingdom

177 Walsall Road
Birmingham B42 1BP
United Kingdom
Tel. +44 (0) 121 356 4811
Fax. +44 (0) 121 356 1598

PACIFIC RIM

P.R.China

488 Jiatang Road
Jiading District, Shanghai 201807
People's Republic of China
Tel. 86-21-5954-8626
Fax. 86-21-5954-8775

Japan

Shuwa Kioicho Park Building 3F
3-6 Kioicho, Chiyoda-Ku
Tokyo, 102-0094 Japan
Tel. 81-03-3265-7291
Fax. 81-03-3265-7298

Korea

Rm 609, Seorin Bldg.
45-15 Yeoido-Dong
Yeongdeungpo-Ku
Seoul, 150-891, R.O. Korea
Tel. 82-2-783-9226-7
Fax. 82-2-783-9228-9