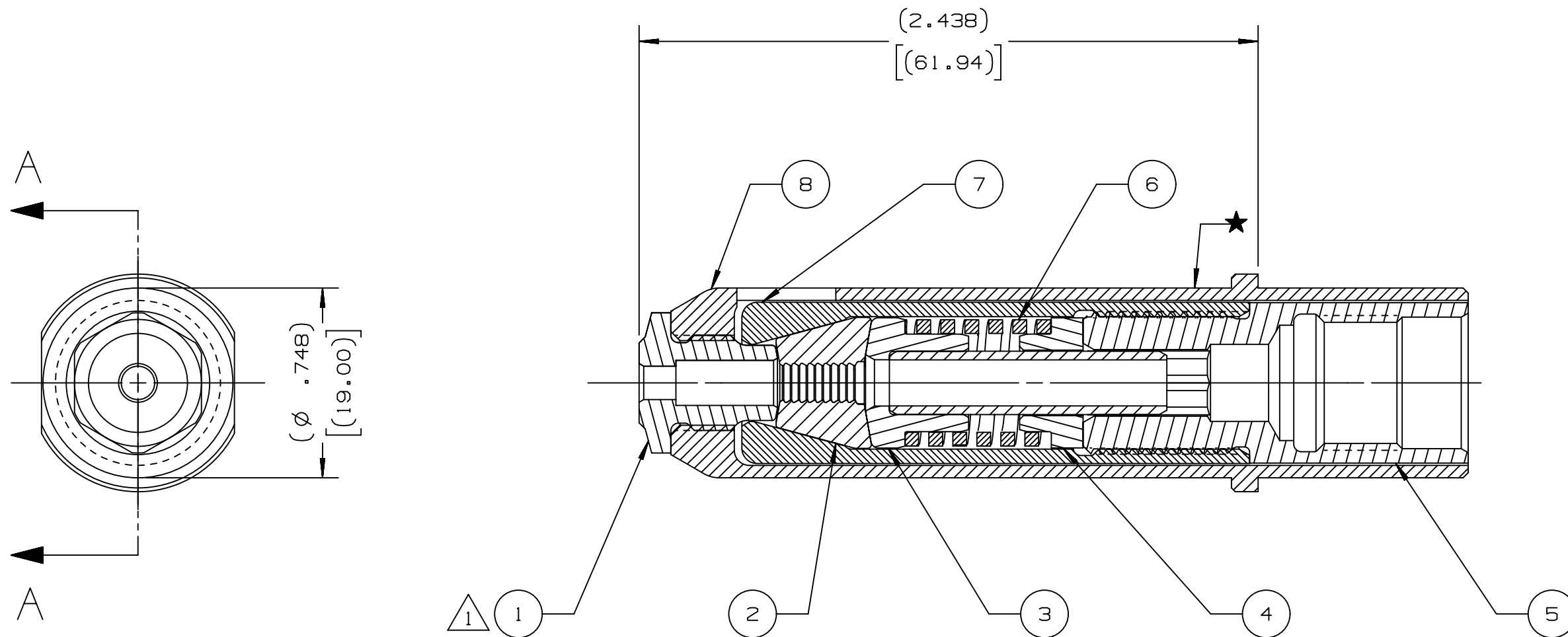


**BLIND
RIVET
SUPPLY.COM**

1400 Gulf Blvd Ste 501
Clearwater, FL 33767
(888) 472-1081

sales@blindrivetsupply.com

REV	DESCRIPTION	DET	DATE
J	ITEM 1, DRIVING ANVIL 117841 WAS 117564, UPDATE DRAWING FORMAT, NOTE 1, OFFER DRIVING ANVIL 117564 AS OPTION	EL	08/01/19



SECTION A - A

NOTES:

ⓐ △ CONCAVE FACE INSERT, OPTIONALLY AVAILABLE, PART# 117564

PART NO.	QTY	DESCRIPTION	ITEM
116910	1	HOLDER, ANVIL	8
116909	1	COLLET, -08 MGL	7
123877	1	SPRING, COMPRESS, -06-08MGL	6
124360	1	EXTENSION, SPINDLE	5
116912	1	CAP	4
116911	1	FOLLOWER	3
128346	1	JAW, CHUCK, 3P, -06	2
ⓐ 117841	1	ANVIL, DRIVING, -06 MGL	1

IDENTIFICATION PER SPEC 42-311: ★ PERMANENT		HUCK INTERNATIONAL, INC., I.S.D 1 CORPORATE DR KINGSTON, NEW YORK 12401	
ITAR/ECCN: EAR99		NOSE ASSEMBLY -.06 MGL STANDARD SELF RELEASING - 2480, 202	
SCH B#: 8467.99.0180		FINAL ASSY: 2480, 202	
ENG: EL	CK:	DATE: 5/30/91	SCALE: 2:1
HTS: 8467.99.0190		B	99-3303