

# Air/Hydraulic Tools



## 39054/M-3

This heavy-duty air/hydraulic riveter with its newly designed **aluminum forged** head can hold up under demanding continuous use. The steel forged head allows for continuous full operating power and less internal wear. The M-3 will set blind rivets from 1/8" diameter in all alloys, up to 3/16". Included with the M-3 are standard 1/8", 5/32", and 3/16" nosepieces, a service wrench, swivel inlet air coupler and a mandrel collection bottle. The recommended airline pressure is 85-95 PSI. Weight: 4.2lbs.



## 39062/302-E

This durable riveter with its fully adjustable vacuum system holds the rivet in the nosepiece, allowing the operator to rivet at any angle with one hand free. The vacuum system also automatically collects the spent mandrel into a collection bottle. This creates a cleaner and safer work environment by preventing spent mandrels from falling to the floor or work surface. This tool can easily install 3/32" to 3/16" diameter rivets in all alloys, and 1/4" diameter open-end rivets in aluminum/steel combination. A swivel air inlet for increased mobility when working is also included along with a push button trigger and molded frame which provides the operator with maximum comfort using minimal effort. The recommended airline pressure is 85-95 PSI. Weight: 4 lbs.



## 39070/IL-1

This durable in-line riveter with its fully adjustable vacuum system holds the rivet in the nosepiece in any riveting position and automatically ejects the mandrel into an attached container (not supplied). The IL-1 is capable of setting rivet diameters from 3/32" through 3/16" in all alloys and easily hangs from any balancer. This is an ideal tool for assembly line riveting. The recommended airline pressure is 85-95 PSI. Weight: 3lbs.

## 39055/M-3V

The M-3V is capable of setting blind rivets from 3/32" diameter in all alloys up to 3/16". Additionally, it has an internal vacuum system, which allows the mandrel to be held in position while operating the tool at any angle. After setting, the spent mandrel is ejected into the mandrel collection bottle. The recommended airline pressure is 85-95 PSI. Weight: 4.6lbs.



## 39064/304-E

This is our most powerful air/hydraulic riveter, with its fully enclosed vacuum system that holds the rivet in the nosepiece, allowing the operator to rivet at any angle with one hand free. The vacuum system automatically collects the spent mandrel into a bottle, creating a cleaner, safer work environment by preventing spent mandrels from falling to the floor. A traction pulling power of 4200 lbs. allows this tool to easily set Klik-Lok™ and all other structural blind rivets. Its long 7/8" stroke enables the tool to set most rivets in one pull. In addition to the nosepieces for structural rivets, nosepieces to install 3/16" and 1/4" standard rivets are also included along with a push button trigger and molded frame which provides the operator with maximum comfort using minimal effort. The recommended airline pressure is 85-95 PSI. Weight: 5.5 lbs.



## 39058/M-4

This heavy-duty air/hydraulic riveter with its newly designed **aluminum forged** head can hold up under demanding continuous use. The aluminum forged head allows for continuous full operating power and less internal wear. The M-4 can set rivets from 3/32" through 1/4" diameter in all alloys, and it also has the capability of setting 3/16" and 1/4" T-Rivets/Klik-Split®, Klik-Lok™ and all other structural blind rivets (*special optional nosepieces may be required*). The M-4 is supplied with 3/32", 5/32", 3/16" and 1/4" standard nosepieces, service tools, swivel inlet air coupler and a mandrel collection bottle. The recommended airline pressure is 85-95 PSI. Weight: 6.6 lbs.



### Extended head accessory for 302-E and 304-E

Tool	Description	Part Number
39062	5" Extension Head	88082
39062	8" Extension Head	88086
39064	5" Extension Head	88220-39

A balancer is available by special order for any of the above tools.

# Air/Hydraulic Tools

## Air/Hydraulic Rivet Tools — Standard & Special Nosepieces

Tool	Standard					T-Rivets/Klik-Split®		Structural*	
	3/32"	1/8"	5/32"	3/16"	1/4"	3/16"	1/4"	3/16"	1/4"
39054		95715	95716	95717					
39055	95761	95762	95763	95760					
39058	95897	95898	95899	95900	95835	95903	95905	95904	95906
39062	717006	717001	717002	717003	717005				
39064				88220-1	88220-79		88220-83	88220-85	88220-84
39070	717006	717001	717002	717003					

\*For Monobolt® structural rivets, the noted special insert is required. For Marson brand Klick-Lock® structural rivets, no special insert is required.

## Air/Hydraulic Rivet Tools — Capacity Chart

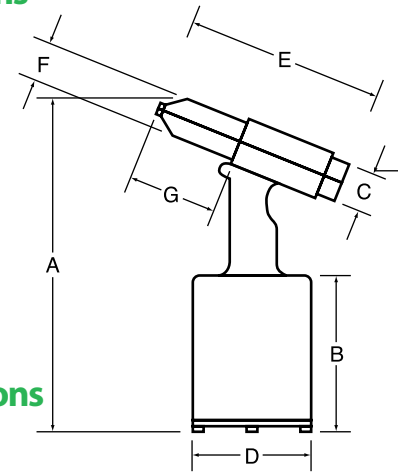
Riveter Model	Steel					All Aluminum					Aluminum/Steel					Stainless					Copper Steel	Structural*	"T" Rivets			
	3/32"	1/8"	5/32"	3/16"	1/4"	3/32"	1/8"	5/32"	3/16"	1/4"	3/32"	1/8"	5/32"	3/16"	1/4"	3/32"	1/8"	5/32"	3/16"	1/4"	1/8"	3/16"	1/4"	3/16"	1/4"	
39054		.	.	.			.	.	.			.	.	.			.	.	.		.					
39055	.	.	.	.		.	.	.	.		.	.	.	.		.	.	.	.		.					
39058	.	.	.	.	.	.	.	.	.	.	.	.	.	.	.	.	.	.	.	.	.	.	.	.	.	.
39062	.	.	.	.		.	.	.	.		.	.	.	.		.	.	.	.		.					
39064				.	.				.	.				.	.				.	.		.	.	.	.	.
39070	.	.	.	.		.	.	.	.		.	.	.	.		.	.	.	.		.					

\*For Monobolt® structural rivets, the noted special insert is required. For Marson brand Klick-Lock® structural rivets, no special insert is required.

# Air/Hydraulic Tools

## Air/Hydraulic Rivet Tools — Dimensions

Tool	A	B	C	D	E	F	G	WT
39054	12"	6"	1¼"	3"	6"	1"	3"	4.2 lbs.
39055	11.5"	9.5"	1.75"	3"	7"	.915"	4"	4.6 lbs.
39058	12"	4.5"	1.5"	3.5"	7"	.987"	4.5"	6.6 lbs.
39062	11.125"	5"	2.375"	4.5"	13"	.828"	2.5"	4 lbs.
39064	13.125"	6"	2.375"	5.25"	13"	.9375"	2.5"	5.5 lbs.
39070	15"	4"		3.125"	9"	.875"	2.5"	3 lbs.



## Air/Hydraulic Rivet Tools — Specifications

Tool	Work Force	Avg. Air	
		Consumption	Stroke
39054	85-95 psi 1,983 lbs./8,820 n	4 cfm	.551" 14 mm
39055	85-95 psi 1,940 lbs./8,629 n	4 cfm	.551" 14 mm
39058	85-95 psi 3,099 lbs./13,784 n	5 cfm	.748" 19 mm
39062	85-95 psi 2,000 lbs./8,896 n	5 cfm	.812" 21 mm
39064	85-95 psi 4,200 lbs./18,682 n	5 cfm	.875" 22 mm
39070	85-95 psi 2,100 lbs./9341 n	4 cfm	.590" 15 mm

