

G-28

Hand Riveter

MANUAL



CHERRY[®]
AEROSPACE

1224 East Warner Ave,
Santa Ana, Ca 92705
Tel: 1-714-545-5511
Fax: 1-714-850-6093
www.cherryaerospace.com

G-28 Hand Riveter

The Cherry® G-28 is a lightweight (13 oz.) ruggedly compact hand tool designed to efficiently set a broad range of Avdel® and Cherry® commercial rivets.

It is ideal for use in a low production environment, on the job site, in the prototype laboratory or for performing maintenance tasks. A unique torsion spring keeps the lever arm in place, ready to accept rivet after rivet.

The G-28 comes with two popular size nosepieces:

- 728A9-4
- 728A9-6,

One of the nosepieces is stored securely out of the way in the riveter handle.

Additional nosepieces, if required, can be easily obtained at a nominal charge.



The G-28 comes equipped with nosepiece 728A9-4 to set the following Avdel® Cherry® rivets:

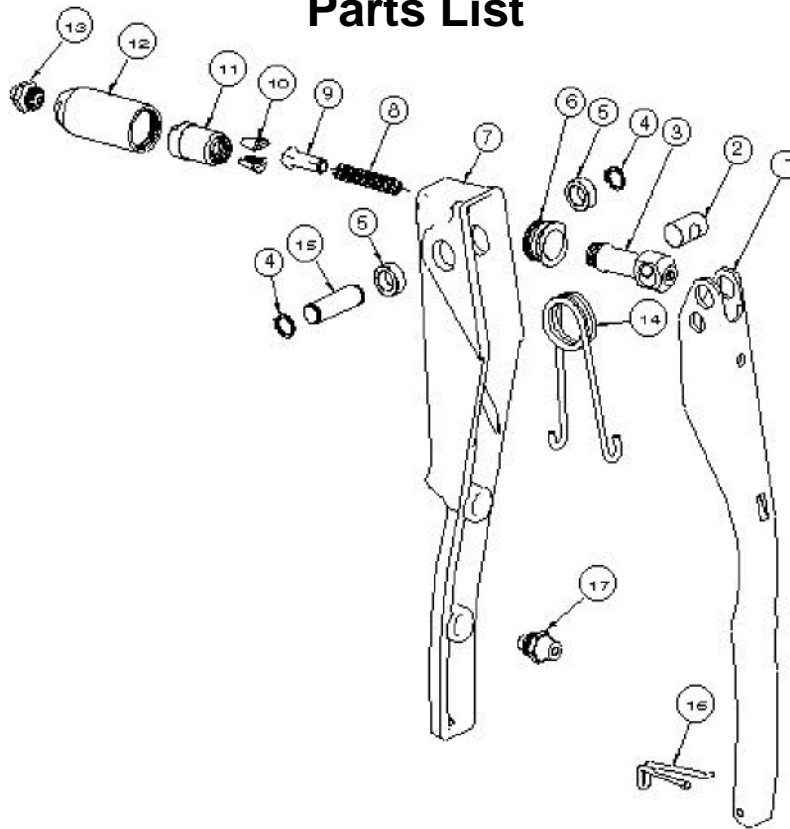
- N Rivets $\emptyset 1/8$ " size
- Q Rivets - $\emptyset 1/8$ "

There is also a spare nosepiece (728A9-6), included for setting the following Avdel® Cherry® rivets:

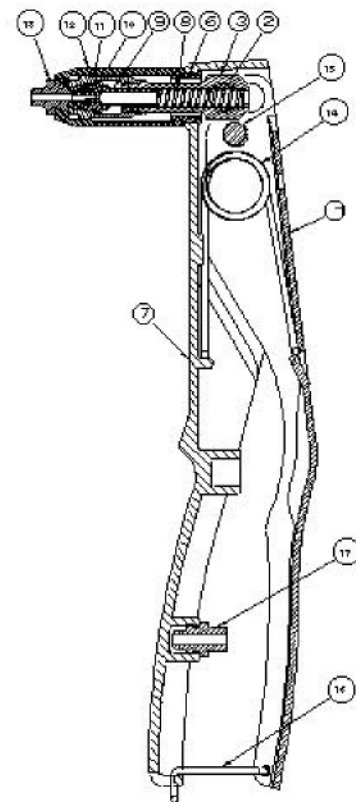
- N Rivets - $\emptyset 5/32$ " & $\emptyset 3/16$ " *
- Q Rivets - $\emptyset 5/32$ " & $\emptyset 3/16$ " *

*Maximum recommended setting capability of the G-28 is all-aluminum $3/16$ " diameter rivet. Rivets having a setting load higher than the $3/16$ " all-aluminum rivet may cause damage to the tool.

G-28 Parts List

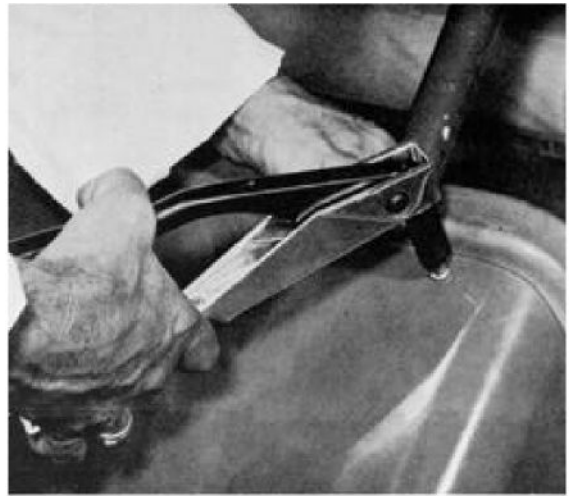


REF. NUMBER	PART NUMBER	DESCRIPTION	QTY. REQUIRED
1	728C3	Lever Arm	1
2	728A12	Pivot Pin, Drawbolt	1
3	728A10	Drawbolt	1
4	P295	Retaining Ring, Truarc 5100-31	2
5	728A14	Bushing	2
6	728A11	Adapter Bushing	1
7	728B2	Handle	1
8	728A6	Spring	1
9	728A5	Jaw Follower	1
10	728B4	Jaws (pair)	1
11	728A7	Collet	1
12	728A8	Sleeve	1
13	728A9-4	Nosepiece	1
14	728A15	Torsion Spring	1
15	728A13	Pivot Pin, Lever Arm	1
16	728A16	Clip	1
17	728A9-6	Nosepiece	1



Operation:

1. Insert rivet mandrel into nosepiece.
2. Insert rivet into work with riveter nosepiece held firmly and squarely against head of rivet.
3. Squeeze the handles to install the rivet. An additional stroke may be necessary depending on the rivet length and the thickness of the material being joined.



Troubleshooting:

1. If mandrel will not enter the pulling head with the handles fully extended, tool is probably contaminated with dirt or metal chips. Dismantle pulling head (parts 8 through 13), clean with a solvent, examine jaw teeth for signs of wear and replace if worn.
2. If mandrel enters pulling head but is not gripped by jaws, disassemble as in above and check for worn jaws or a weak jaw spring. Jaw spring should not be less than 1 ¼" long.
3. If mandrel enters, grips and sets rivet but does not release rivet, disassemble as above and check for dirt, weak jaw spring or worn jaws.
4. Pulling head components (8 through 13) should be clean and dry. The only lubrication necessary is on the outside of the jaws (10) to assure a sliding action between the collet taper and the backs of the jaws; use clear grease such as Lubriplate®. Tighten all components snugly with a wrench.

Lubriplate® is a registered trademark of Fiske Brothers Refining Co.

WARRANTY

Seller warrants the goods conform to applicable specifications and drawings and will be manufactured and inspected according to generally accepted practices of companies manufacturing industrial or aerospace fasteners. In the event of any breach of the foregoing warranty, Buyer's sole remedy shall be to return defective goods (after receiving authorization from Seller) for replacement or refund of the purchase price, at the Seller's option. Seller agrees to any freight costs in connection with the return of any defective goods, but any costs relating to removal of the defective or nonconforming goods or installation of replacement goods shall be Buyer's responsibility. SELLER'S WARRANTY DOES NOT APPLY WHEN ANY PHYSICAL OR CHEMICAL CHANGE IN THE FORM OF THE PRODUCT IS MADE BY BUYER.

THE FOREGOING EXPRESS WARRANTY AND REMEDY ARE EXCLUSIVE AND ARE IN LIEU OF ALL OTHER WARRANTIES AND REMEDIES; ANY IMPLIED WARRANTY AS TO QUALITY, FITNESS FOR PURPOSE, OR MERCHANTABILITY IS HEREBY SPECIFICALLY DISCLAIMED AND EXCLUDED BY SELLER. THIS WARRANTY IS VOID IF SELLER IS NOT NOTIFIED IN WRITING OF ANY REJECTION OF THE GOODS WITHIN ONE (1) YEAR AFTER INITIAL USE BY BUYER OF ANY POWER RIVETER OR NINETY (90) DAYS AFTER INITIAL USE OF ANY OTHER PRODUCT.

Seller shall not be liable under any circumstances for incidental, special or consequential damages arising in whole or in part from any breach by Seller, AND SUCH INCIDENTAL, SPECIAL, OR CONSEQUENTIAL DAMAGES ARE HEREBY EXPRESSLY EXCLUDED.

For more information please contact our Technical Services Department at Tel. 714-850-6022

1224 East Warner Ave,
Santa Ana, Ca 92705
Tel: 1-714-545-5511
Fax: 1-714-850-6093
www.cherryaerospace.com



CHERRY®
AEROSPACE

Manufacturer's Federal Identification Code: 11815

TM-G28
Rev.: A
Date: 02/05/07
CR# 07-0097