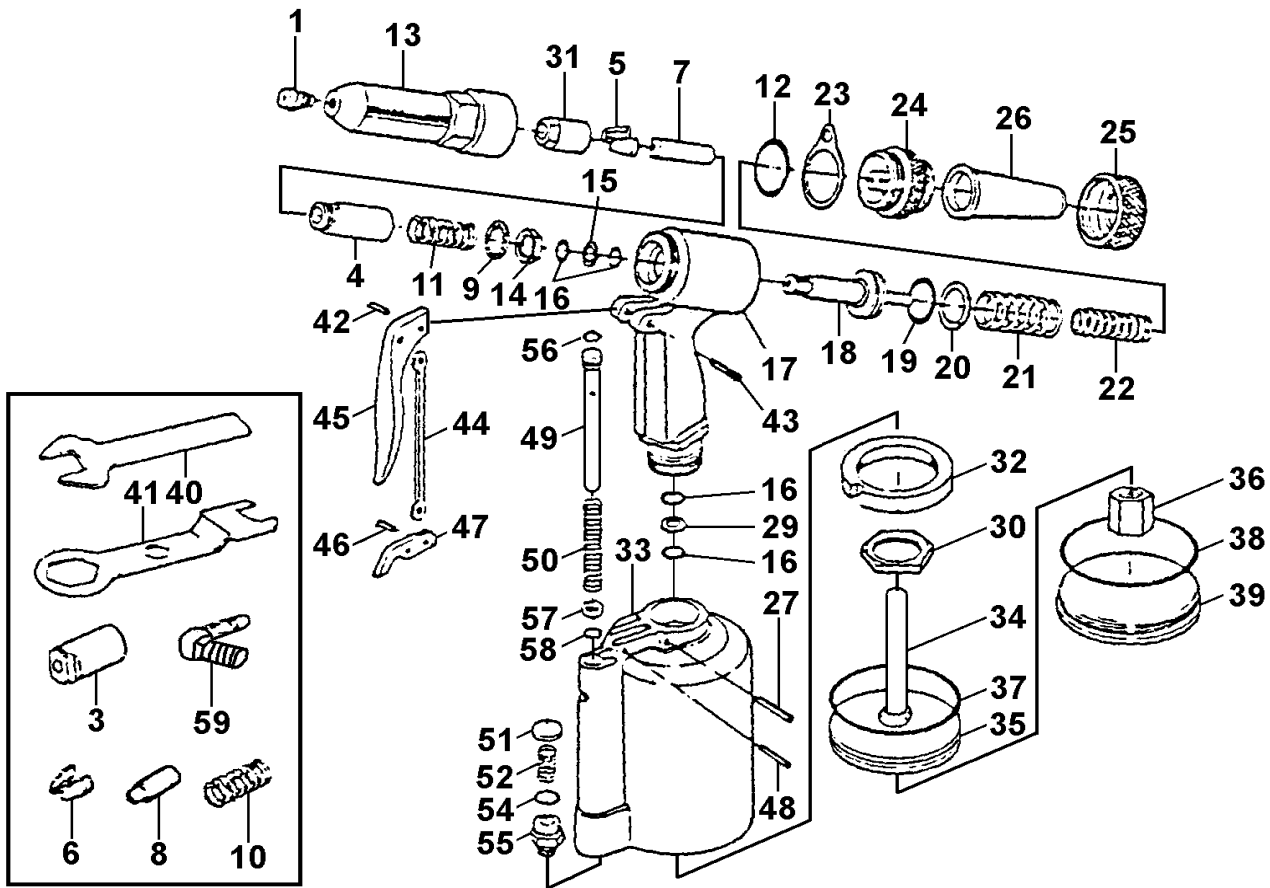


Instructions and Parts List - #79060

V-4 AIR / HYDRAULIC RIVETER TOOL



Ref. No.	Part No.	Description	Qty	Ref. No.	Part No.	Description	Qty	Ref. No.	Part No.	Description	Qty
1A	95835	Nosepiece 1/4" (6.4mm)	1	19	95851	O-Ring 23.7x3.5	1	42	95873	Connector	1
1B	95897	Nosepiece 3/32" (2.4mm)	1	20	95852	Back Up Ring	1	43	95889	Handle Pin	1
1C	95898	Nosepiece 1/8" (3.2mm)	1	21	95853	Return Spring (Large)	1	44	95977	Trigger Rod	1
1D	95899	Nosepiece 5/32" (4.0mm)	1	22	95854	Return Spring (Small)	1	45	95978	Trigger	1
1E	95900	Nosepiece 3/16" (4.8mm)	1	23	95855	Hanging Clip	1	46	95875	Connector	1
				24	95856	Frame Cap	1	47	95877	Trigger Lever	1
3	95837	Jaw Case Front (for 3/32", 1/8", 5/32")	1	25	95858	Frame Cap Nut	1	48	95864	Lever Pin	1
4	95843	Jaw Case Rear	1	26	95857	Safety Cap	1	49	95979	Valve Pusher 99	1
5	95839	Jaws for 1/4", 3/16"	1set	27	95863	Frame Setting Pin	1	50	95980	Valve Spring	1
6	95840	Jaws for 5/32", 1/8", 3/32"	1set	29	95971	Back Up Ring	1	51	95981	Valve	1
7	95841	Jaw Pusher for 1/4", 3/16"	1	30	95972	Frame Lock Nut	1	52	95982	Valve Spring	1
8	95842	Jaw Pusher for 3/32", 1/8", 5/32"	1	31	95838	Jaw Case Front For 1/4", 3/16"	1	54	95983	O-Ring 10.8x2.4	1
9	95846	Case Washer Ring	1	32	95973	Rubber Cushion	1	55	95984	Valve Cap	1
10	95844	Jaw Push Spring 5/32", 1/8", 3/32"	1	33	95974	Air Cylinder	1	56	95711	O-Ring 8.8x1.9	1
11	95845	Jaw Pusher Spring 1/4", 3/16"	1	34	95990	Air Piston Stem	1	57	95985	Valve Collar	1
12	95780	Frame Cap O-Ring 27x2	1	35	95869	Air Piston	1	58	95986	O-Ring 4.8x1.9	1
13	95836	Frame Head	1	36	95870	Air Piston Lock Nut	1	59	95987	Inlet Bushing Nut Assy	1
14	95847	Case Lock Nut	1	37	95868	O-Ring 69.6x5.7	1	RK	95988	Repair Kit Ref.No. -- 5, 6, 10, 11, 20, 21, 22	
15	95849	Back Up Ring	1	38	95871	O-Ring 73x2.8	1				
16	95848	O-Ring 11.8x2.4	4	39	95872	Cylinder Cap	1				
17	95970	Frame	1	40	95894	Spanner Gauge	1	SK	95989	Service Kit Ref.No.-- 12, 15, 4x16, 19, 37, 38, 50, 52, 54, 56, 58	1
18	95850	Oil Piston	1	41	95976	Spanner	1				