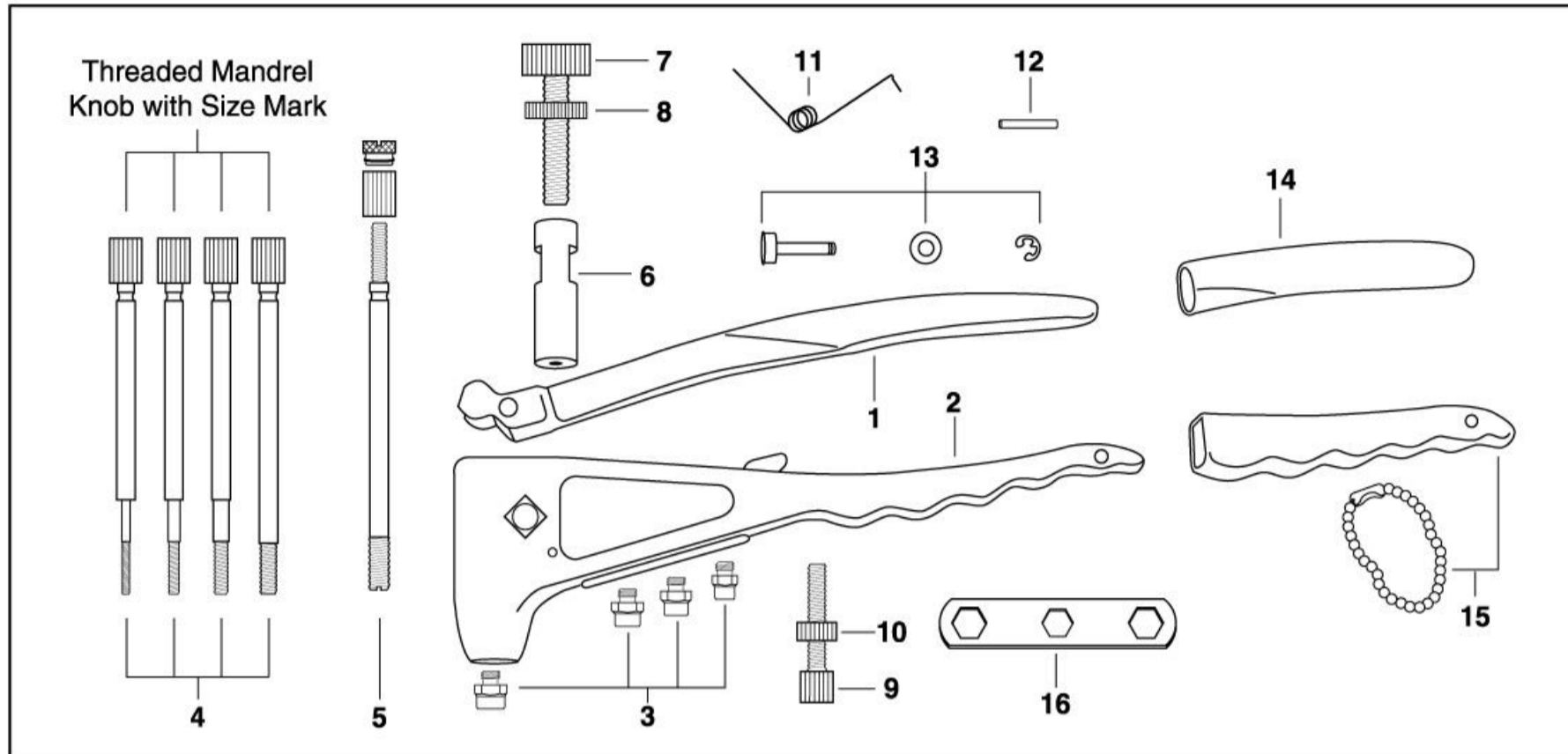




RN-1 Professional RIVET NUT SETTER 39300

PARTS LIST

U.S. PATENT 5,729,880



No.	Part No.	Part Name
1	M39190	Upper Handle
2	M39350	Aluminum Body
3-6	M39361	Nosepiece, for #6 Rivet Nut
3-8	M39362	Nosepiece, for #8 Rivet Nut
3-10	M39363	Nosepiece, for #10 Rivet Nut
3-14	M39379	Nosepiece, for 1/4" Rivet Nut
3-M4	M39374	Nosepiece, for M4 Rivet Nut
3-M5	M39373	Nosepiece, for M5 Rivet Nut
3-M6	M39375	Nosepiece, for M6 Rivet Nut
4-632	M39354	Threaded Mandrel, for 6-32 Rivet Nut
4-832	M39355	Threaded Mandrel, for 8-32 Rivet Nut
4-1024	M39356	Threaded Mandrel, for 10-24 Rivet Nut
4-1032	M39357	Threaded Mandrel, for 10-32 Rivet Nut
4-1420	M39358	Threaded Mandrel, for 1/4-20 Rivet Nut
4-1428	M39371	Threaded Mandrel, for 1/4-28 Rivet Nut
5-51618	M39359	Threaded Mandrel, 3-PC Type, for 5/16-18 Thread-Sert/Rivet Nut
5-51624	M39372	Threaded Mandrel, 3-PC Type, for 5/16-24 Thread-Sert/Rivet Nut
5-3816	M39360	Threaded Mandrel, 3-PC Type, for 3/8-16 Thread-Sert/Rivet Nut
4-M407	M39366	Threaded Mandrel, for M4x0.7 Rivet Nut
4-M508	M39367	Threaded Mandrel, for M5x0.8 Rivet Nut
4-M610	M39368	Threaded Mandrel, for M6x1.0 Rivet Nut
5-M8125	M39369	Threaded Mandrel, 3-PC Type, for M8x1.25 Thread-Sert/Rivet Nut
6	M39264	Collet Case
7	M39352	Adjusting Knob
8	M39365	Lock Nut
9	M39376	Stroke Bolt
10	M39378	Stroke Nut
11	M39132	Torsion Spring
12	M39133	Torsion Spring Pin
13	M39195	Fulcrum Pin + Fulcrum Pin Bearing + Snap Ring
14	M39192	Upper Grip
15	M39334	Lower Grip + Bead Chain Lock
16	M39349	Wrench