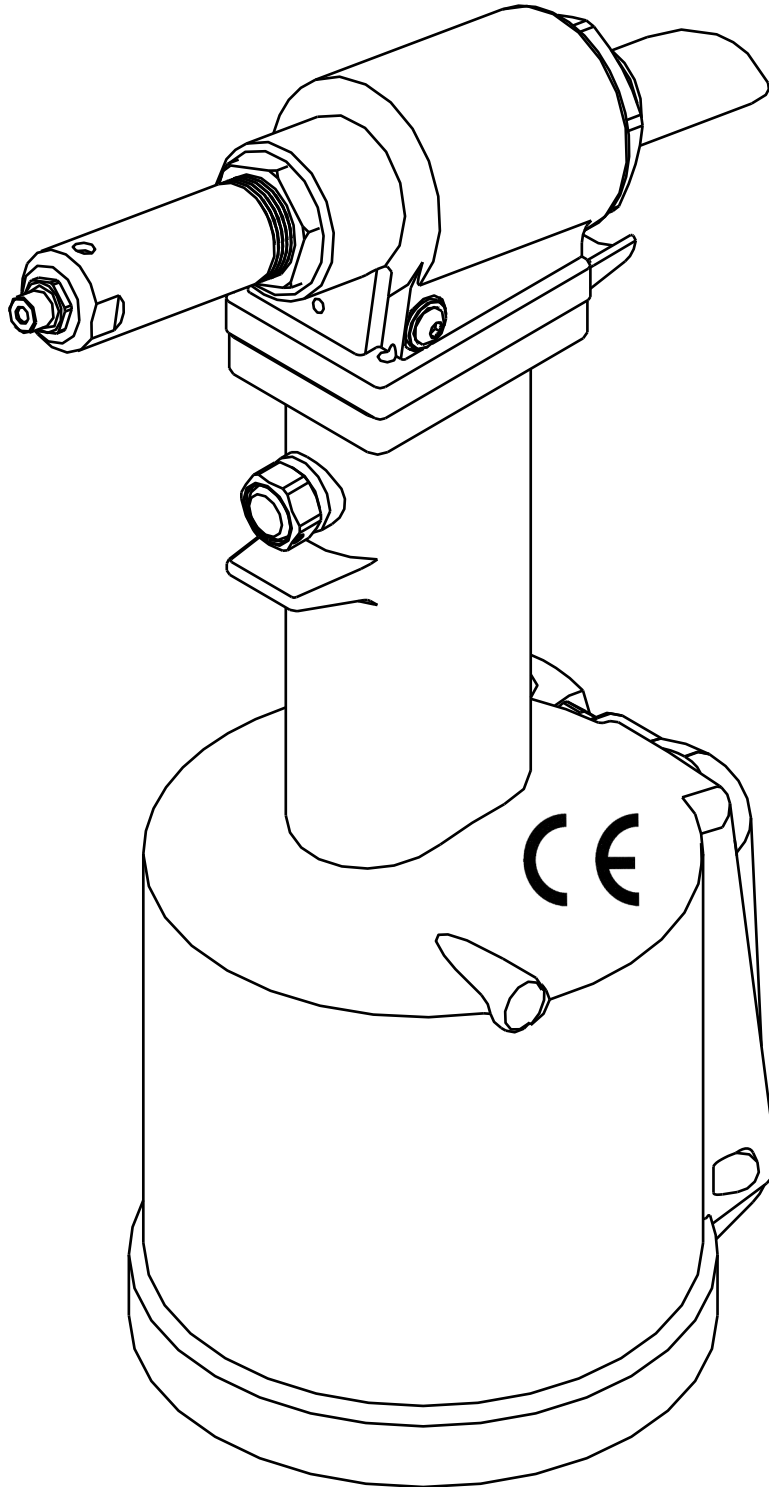


GB743

S/N: 2269 AND ABOVE
PLEASE CONTACT GAGE BILT FOR
ALL OTHER SERIAL NUMBERS.

INSTALLATION TOOL



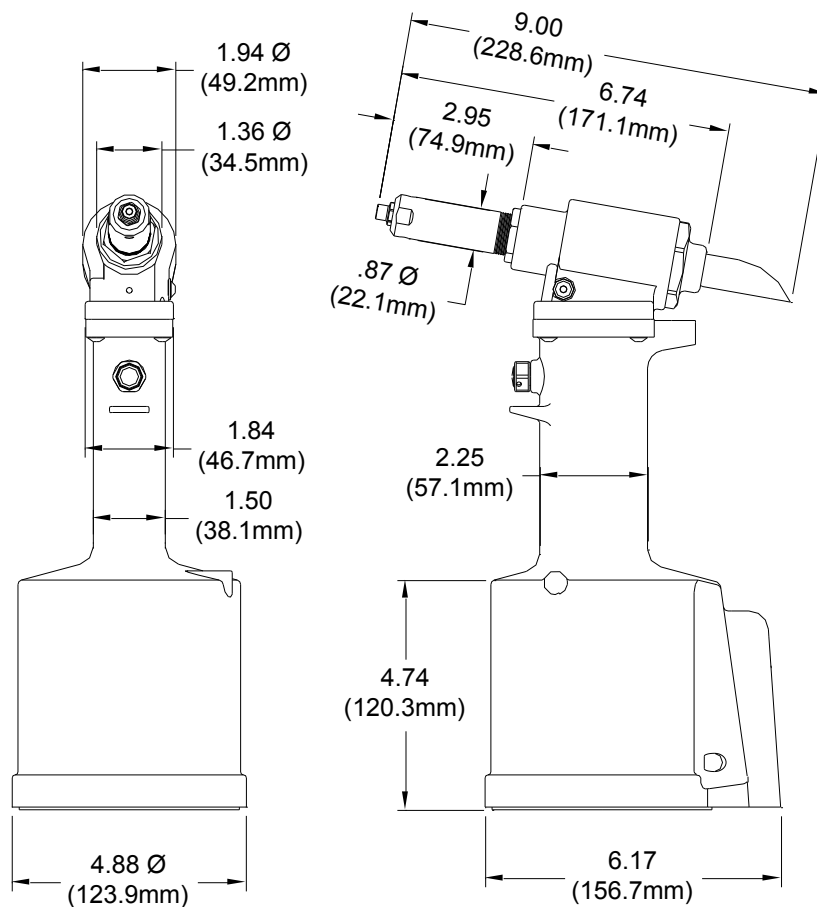
GAGE BILT TOOLS ARE AVAILABLE WORLDWIDE
E-MAIL US FOR A DISTRIBUTOR NEAR YOU.

GAGE BILT
MADE IN U.S.A.

GAGE BILT Inc.
44766 Centre Court (586) 226-1500
Clinton Twp. MI 48038 (586) 226-1505 Fax
e-mail: solutions@gagebilt.com / www.gagebilt.com

TABLE OF CONTENTS

<u>Description</u>	<u>Page</u>
Warnings	3
Principle of Operation	4
How to use the GB743	5
Description, Operation and Maintenance	6
Filling, Bleeding and Troubleshooting	7
Overhaul	8
Disassembly and Parts List	9-10
DEXRON® III Oil Safety Data	11
Nose Assembly Selection Chart	12
EU Conformity and Warranty	13



SPECIFICATIONS

- Hand Held Weight** - 6.25 lbs. (2.83 kg)
- Air pressure req'd** - 90-100 p.s.i. (6.2-6.9 bar)
- Air consumption** - .29 SCF/cycle (8.21 L/cycle)
- Hydraulic oil** - Automatic Transmission Oil, Dexron® III, or equivalent.
- Setting stroke** - .900" (22.86mm)
- Rated pull load** - 4,000 lbs. (17.8 kN)
- Noise level** - Less than 81.5 dB (A)
- Vibration** - Tested-No hazards found.

SAFETY WARNINGS



**PLEASE READ THIS MANUAL BEFORE
SERVICING OR USING THIS TOOL.**



WARNINGS:

**MUST BE UNDERSTOOD TO AVOID
SEVERE PERSONAL INJURY**

CAUTIONS:

**SHOW CONDITIONS THAT WILL
DAMAGE EQUIPMENT OR STRUCTURE**

WARNING

Do not pull fastener unless it is placed in an assembly, pin will eject forcibly when pintail breaks off. Severe personal injury may result.

WARNING

Do not operate without Stat-O-Seal (S572) and cap screws (402482). Pressurized hydraulic oil may cause severe personal injury.

WARNING

When operating, repairing or overhauling tool, wear approved eye protection. Do not look in front of nose assembly or rear of tool when installing fastener.

WARNING

Always disconnect tool from power source before performing any maintenance to any tool or nose assembly.

WARNING

Do not operate if deflector, bottle, catcher bag or vacuum tube is removed or damaged, broken pintails may eject forcibly from rear of tool. Severe personal injury may result.

WARNING

Ensure that all connections are properly secured before connecting to power.

CAUTION

Keep Nose Assemblies clean and free of chips and debris.

CAUTION

Ensure that nose assembly and tip are properly matched for the fastener being installed.

CAUTION

Do not use beyond the design intent.

WARNING

Be sure there is adequate clearance for tool and operator's hands before proceeding. Keep fingers clear of any moving parts. Keep fingers clear from fasteners and installed materials. Severe personal injury may result.

WARNING

Tool must be maintained in a safe working condition at all times and examined on a daily basis for damage or wear. Any repair should be done by qualified personnel trained on Gage Bilt procedures.

WARNING

It is required to use hearing protection. A test was carried out in a simulated work environment where the background level was 73.2 dB (A). In this condition the max level was 81.5 dB (A). Therefore, it is required where prolonged use, hearing protection be used.

WARNING

Where prolonged use is foreseen, it is recommended a tool balancer be used. Check suspension device to ensure that it is secure.

WARNING

Risk of crushing exists if nose assembly is not attached.

WARNING

Do no use tool in explosive atmosphere.

WARNING

It is recommended tool be operated 50 out of every 60 minutes, where prolonged use is expected.

WARNING

Shock:

It is recommended operator wear a suitable glove during operation where prolonged use is expected.

CAUTION

Tool is not to be used as a hammer.

WARNING

Air pressure not to exceed 100 psi (6.9 bar).

PRINCIPLE OF OPERATION

When the air actuator assy is depressed, the pressurized air inside of the tool is released allowing spring pressure to move the valve spool assy causing the air to be redirected. The air is directed to the top of the air piston assy, moving it in a downward direction. The air below the air piston assy is then directed through the valve sleeve and exhausted out of the bottom of the tool. Simultaneously, the piston rod assy connected to the air piston assy is also moving down, forcing hydraulic oil up and into the front side of the head cylinder assy, causing the piston to move to the rear of the head cylinder assy. The internal components of the attached nose assembly are also moving with the piston to start the fastener installation. When the fastener installation is completed, the air actuator assy is released. Air pressure is then built up inside of the handle assy causing the valve spool assy to return to its original position and reversing the sequence directing air pressure to the rear of the head cylinder assy, causing the piston to move to the forward position.

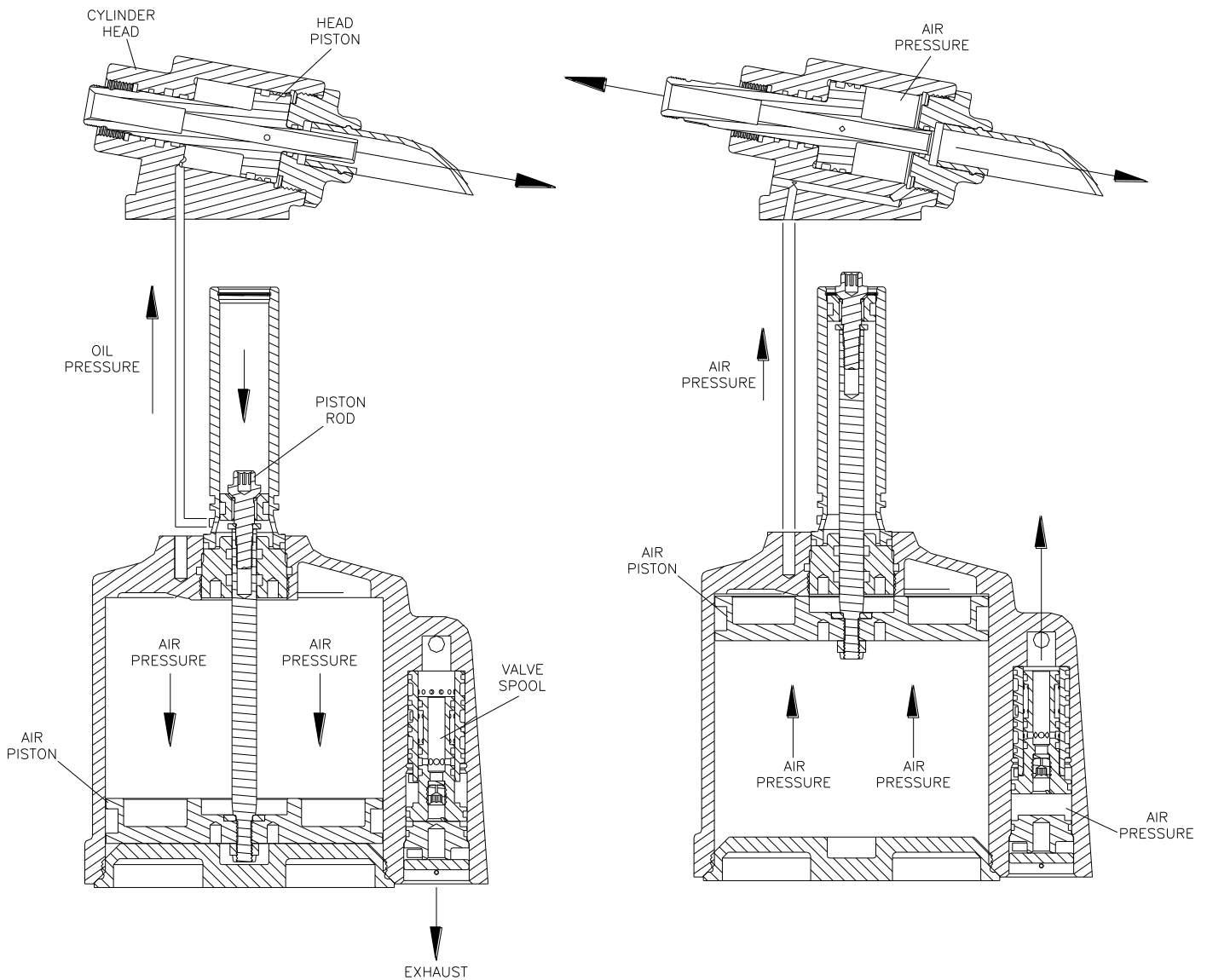


Image may not reflect actual tool

HOW TO USE THE GB743

WARNING: Operator **MUST** read and understand all warnings and cautions.

WARNING: It is required that eye protection and hearing protection be worn during operation.

WARNING: Do not pull rivet in the air. Personal injury from fastener ejecting may occur.

WARNING: Air is exhausted from the bottom of the tool. Direct bottom of the tool (exhausted air) away from operator, other persons working in the vicinity, foreign matter and liquid.

CAUTION: Do not use beyond the design intent.

The tool is shipped with a plastic plug in the air inlet connector. The connector has a 1/4-18 female pipe thread to accept end-user air hose fitting. The tool comes with oil and is ready to use.

1. Remove plastic shipping plug from Swivel (A-249) and screw in your air fitting.

2. Attach Deflector (200232) to rear of Head Cylinder Assy (743108).

WARNING: Rotate deflector away from operator and other persons working in the vicinity.

3. Connect air hose to tool (3/8 minimum diameter air line is mandatory, 90 p.s.i. (6.2 bar) is recommended) and cycle tool a few times by depressing and releasing air actuator assy (704130). (Clean dry air is mandatory).

WARNING: Ensure air hose is securely connected to avoid possible hose whipping.

4. Disconnect air hose from tool.

5. Select proper Nose Assembly, screw collet and anvil onto the tool and attach securely. (See proper data sheet for further instructions.)

6. Connect air supply.

7. Insert rivet into Nose Assembly and the application then depress air actuator assy (704130). Upon releasing the air actuator assy (704130) the stem will eject to the rear of the tool.

WARNING: Always disconnect air supply when tool is not in use to prevent accidental start-up.

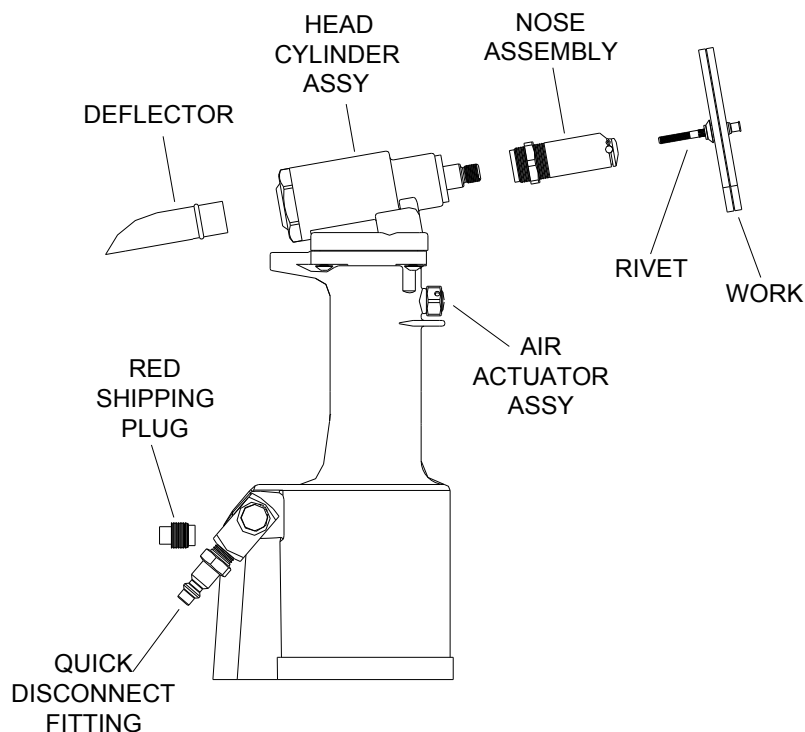


Image may not reflect actual tool

DESCRIPTION

WARNING: The balance of this tool is designed for horizontal use and is not ergonomically best suited for all applications. Gage Bilt will be pleased to advise for your specific application.

The GB743 is a pneumatic-hydraulic tool designed specifically for the efficient installation of a wide range of blind rivets. It weighs 6.25 lbs. (2.83 kg) and can be operated in any position with one hand. It has a .900" (22.86mm) rivet setting stroke and a rated pull load of 4000 lbs. (17.8 kN) with 90 psi (6.2 bar) air pressure at the air inlet.

The GB743 riveter operates on a wide range of air pressure, with 90 to 100 psi (6.2-6.9 bar) providing the maximum efficiency. At 90 psi. (6.2 bar) air pressure, the GB743 does not exceed 81.5 dB (A) and consumes 3 cfm at 20 cycles a minute.

The air inlet is provided with 1/4-18 female pipe threads to accept the users air hose fitting.

UNLESS ORDERED RIVET SPECIFIC (I.E. GB743/8N), THE STANDARD GB743 IS FURNISHED WITH NOSE ASSEMBLY 8N-743-24 AND A SPARE NOSE TIP 10204 TO CONVERT TO A 6N-743-24. ALL OTHER NOSE TIPS MUST BE ORDERED SEPARATELY. WHEN ORDERING TOOL RIVET SPECIFIC, PLEASE CONTACT GAGE BILT FOR MORE INFORMATION.

MAINTENANCE

WARNING: Maintenance personnel **MUST** read and understand all warnings and cautions.

WARNING: Disconnect tool from its power source before performing maintenance.

WARNING: Excessive contact with hydraulic oil and lubricants should be avoided.

WARNING: Dispose of hydraulic oil in accordance with all environmental regulations applicable in your area.

WARNING: Read MSDS documents for all applicable materials.

The performance of any tool depends upon good maintenance practices. Following these minimal requirements for service and care will extend the life of your tool.

*Only use an air supply set at 90-100 p.s.i. (6.2-6.9 bar) equipped with a filter-regulator to prevent wear.

*The tool will eventually lose some hydraulic oil. Keep the hydraulic system full (only use Dexron III or equivalent) and free of air by using the air bleeder assy (704153) on a weekly basis.

*Proper care by operator is necessary in maintaining full productivity and reducing downtime. Read all applicable tool manuals and nose assembly data sheets prior to operating tools.

*Keep nose assemblies, especially jaws, clean and free of chips and debris. Lube jaws and collet surfaces that jaws ride on with light machine oil on a daily basis.

*All Screwed End Caps, Base Covers, Air Fittings, Air Actuators, Screws and Nose Assemblies are to be examined at the end of each working shift to check that they are secure.

*Check tool, all hoses and all couplings daily for damage or air/hydraulic leaks. Tighten or replace (if necessary).

*For a complete overhaul, tool kit GB704TK is recommended (see page 8).

CLEANING AND LUBRICATING PROCEDURE

Daily cleaning and lubrication of nose assembly will greatly reduce downtime and increase life of components. Using sewing machine oil, or an equivalent cleaner/lubricant, follow instructions below.

1. Disconnect tool vacuum line (if equipped).
2. Point nose assembly into oil as shown.
3. Cycle tool 8-10 times and wipe dry.

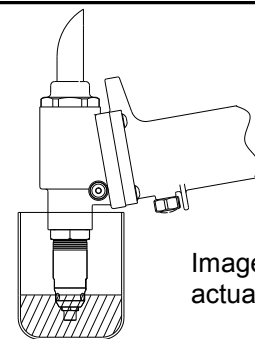


Image may not reflect actual tool.

TORQUE SPECIFICATIONS

Button Head Cap Screws (402479) = 40 inch lbs.

Packing Plug (744118) = 45 foot lbs.

Flexlock Nut (400559) = 40 inch lbs.

End Cap (743214) = 45 foot lbs.

Button Head Cap Screws (402482) = 35-40 inch lbs. (*Do NOT over-tighten*)

FILLING AND BLEEDING TOOL

NOTE: Air bleeder assy (704153) is required.

WARNING: Do not cycle tool without air bleeder assy (704153), or the button head cap screw (402482) and stat-o-seal (S572), installed in the head cylinder assy (743108). Severe personal injury may result.

CAUTION: Before filling handle assy (744129), the air piston assy (744121) should be all the way down.

CAUTION: When forcing piston rod assy (744136) downward with head cylinder assy (743108) removed, hydraulic oil will eject forcibly from handle assy (744129).

CAUTION: Use CAUTION when removing button head cap screws (402482), stat-o-seals (S572) and air bleeder assy (704153). Hydraulic oil may be under pressure.

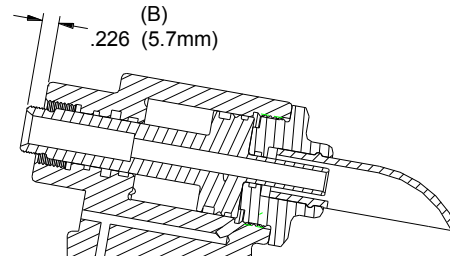
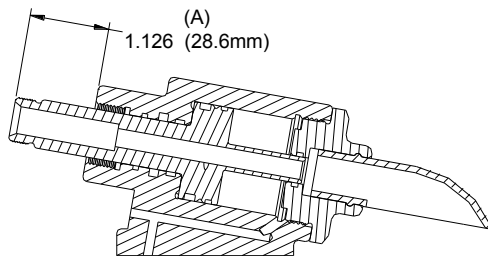
WARNING: Failure to follow these instructions carefully may result in severe personal injury

To replace a small amount of oil in the tool, attach the air bleeder assy and connect tool to air line. Cycle tool ten times. Disconnect air, remove the air bleeder assy, and reinstall the cap screw. This will ensure the removal of any air from the hydraulic system and its replacement with oil.

* FILLING & BLEEDING VIDEO AVAILABLE AT: www.gagebilt.com/bleeding.htm

Should it become necessary to completely refill the tool (such as would be required after tool has been dismantled and reassembled), take the following steps after depressing air actuator assy **AND DISCONNECTING THE AIR SUPPLY:**

1. Remove (4) button head cap screws (402479) and head cylinder assy (743108) from handle assy (744129). Slowly push piston (743407) completely forward. **CAUTION:** Oil may leak from bottom of head cylinder assy (743108).
2. Fill handle assy (744129) and the oil passage on top of handle assy (744129) with automatic transmission oil, Dexron III or equivalent. When looking at the top of the handle assy (744129), the oil passage is the hole that is counterbored for o'ring (S832).
3. Replace head cylinder assy (743108) with care, ensuring gasket (704129) and o'ring (S832) are properly installed. Apply Loctite 242 to all four button head cap screws (A-928) and torque uniformly to 40 inch lbs. to prevent leakage around gasket (704129).
4. Remove button head cap screw (402482) and stat-o-seal (S572) from head cylinder assy (743108). Install air bleeder assy (704153) and connect tool to air line, cycle ten to twenty times to fully circulate oil through hydraulic system.
5. **DISCONNECT AIR FROM TOOL.** Remove air bleeder assy (704153), install button head cap screw (402482) and stat-o-seal (S572) on head cylinder assy (743108) and torque to 40 inch lbs.
6. Connect air supply. Cycle tool ten times and check stroke of .900" (22.86mm) min. (see diagram below). We recommend using a pair of dial calipers. With the air actuator assy (704130) released, check dimension (A). With the air actuator (704130) depressed check dimension (B). If stroke is not consistent within 1/64" (.0156) repeat bleeding steps 4-6.



TROUBLESHOOTING

Providing all maintenance conditions have been met, follow this systematic approach to diagnosis.

1. MORE THAN ONE PULL IS REQUIRED TO BREAK RIVET.
 - a) Tool needs to be bled. (See filling and bleeding instructions.)
 - b) Spring has fatigued, replace.
 - c) Jaws are stripped or packed with chips. Clean or replace.
2. SLOW OR PARTIAL OPERATION WHEN THE AIR ACTUATOR ASSY IS DEPRESSED
 - a) Polyseal (A-1135) and O'Rings (400792) on piston (743407) could be worn or damaged. Replace.
 - b) Back-up ring (S908) and O'Ring (A-201) on piston rod assy (744136) could be worn or damaged. Replace.
 - c) Muffler (744143) or filter inside valve spool assy (743142) may be plugged with dirt. Clean thoroughly and back-blow with compressed air.
 - d) Hole in metering screw in valve spool assy (743142) may be blocked or damaged. Hole diameter should be .028". Clear and size or replace.
3. NO OPERATION WHEN AIR ACTUATOR ASSY IS DEPRESSED
 - a) Tool seized due to mechanical failure or damaged parts.
4. OIL LEAKAGE
 - a) **DO NOT OPERATE WITH OIL LEAKING FROM TOOL. HIGH PRESSURE OIL MAY CAUSE SEVERE PERSONAL INJURY.**
 - b) Any oil leaking externally should be traced to its source. An o'ring or seal that leaks should be replaced.
5. AIR BYPASS FROM VALVE HOUSING
 - a) If the spring (744144) breaks or dislodges, air will flow freely through the muffler (744143). Replace or reset. Valve spring installation tool (744151) is recommended.
 - b) Check o'rings on valve sleeve (743144), valve spool assy (743142), and valve plug (744142). If worn or damaged, replace. Valve sleeve removal tool (744152) is recommended.
6. FASTENER STEM JAMMED IN NOSE ASSEMBLY
 - a) Nose assembly components require service. **DISCONNECT AIR FROM TOOL**, remove the nose from the tool and disassemble. Replace worn or broken parts. Clean the surface the jaws ride on.
 - b) Stems lodged side by side in the follower. Disassemble, remove stems, and reassemble.
 - c) Incorrect follower.

OVERHAUL

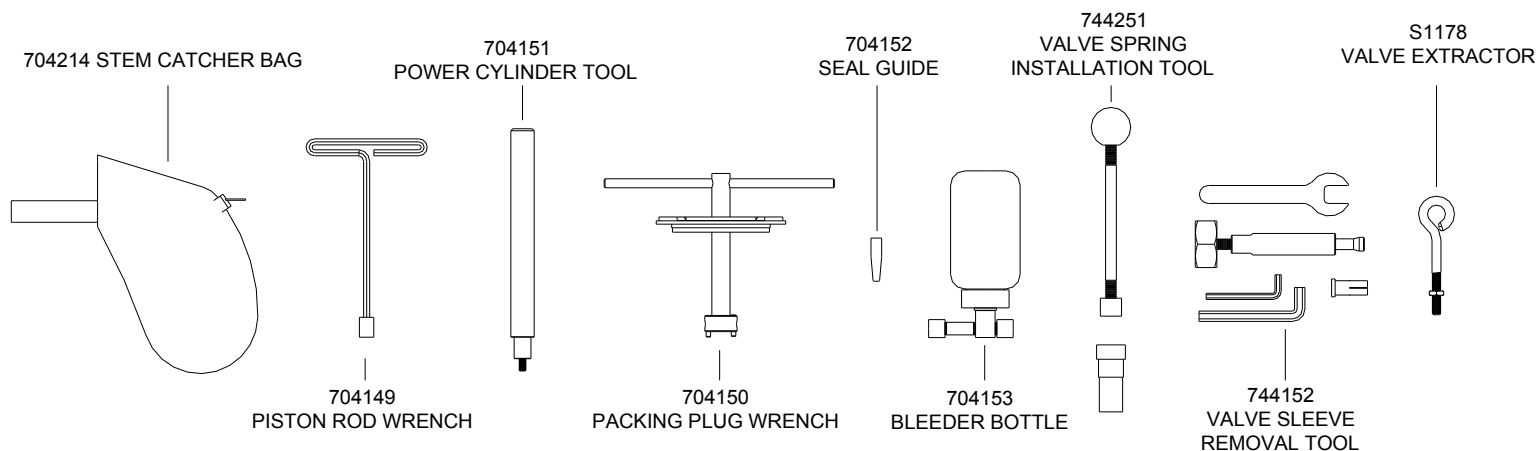
WARNING: Disconnect tool from its air source before performing overhaul.

WARNING: Tool must be maintained in a safe working condition at all times and examined on a daily basis for damage or wear. Any repair should be done by qualified personnel trained on Gage Bilt procedures.

WARNING: When operating, repairing or overhauling tool, wear approved eye protection. Do not look in Front of tool or rear of tool when installing fastener.

WARNING: Depress lever assy and disconnect from air, with the piston in the rear position, before overhaul. Severe personal injury may occur if air hose is not disconnected. **USE CAUTION** when forcing piston rod assy downward with head cylinder assy removed. Hydraulic oil will eject forcibly from handle assy.

The disassembly and re-assembly procedure can be accomplished by utilizing the following instructions and drawings. Use extreme care during disassembly and re-assembly not to mar or nick any smooth surface that comes in contact with seals. Before installing seals, always apply a good lubricant, such as Lubriplate, to the surfaces. It is recommended that tool kit (GB740TK) be used to facilitate overhaul. A complete overhaul can be achieved by the use of Service Kit (743018) which contains a complete set of o-rings, back-up rings, screws, washers and gasket. It is recommended that this service kit be kept available for spare parts.



(704214 CATCHER BAG SHOWN ABOVE IS SOLD SEPARATELY)

GB740TK Service Tool Kit Includes:

Part No.	Description
704149	Piston Rod Wrench
704150	Packing Plug Wrench
704151	Power Cylinder Tool
704152	Seal Guide
704153	Air Bleeder Ass'y
S1178	Valve Extractor
744251	Valve Spring Installation Tool
744152	Valve Sleeve Removal Tool

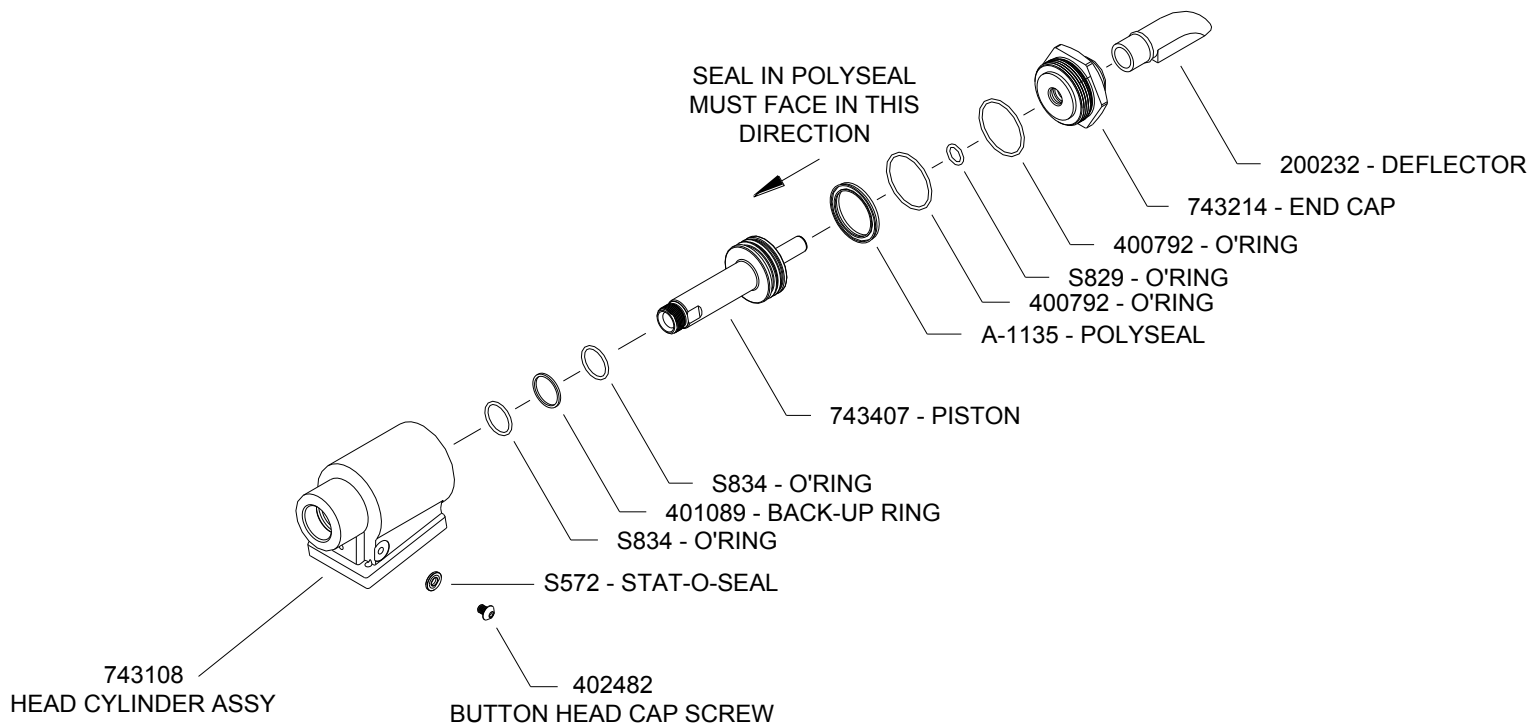
HEAD

WARNING: Dispose of hydraulic oil in accordance with all environmental regulations applicable in your area.

Remove nose assembly from tool before attempting disassembly of head assembly.

Remove end cap (743214). Push against threaded end of piston (743407) to slide it out of head cylinder assy (743108). Be careful not to damage threads or cause burrs on polished piston (743407) surface.

The re-assembly sequence is the opposite of disassembly. (See Filling and Bleeding instructions.) Apply Loctite® #242 and torque the four button-head cap screws (402479) uniformly to 40 inch lbs. to prevent leakage around the gasket (704129).



HANDLE

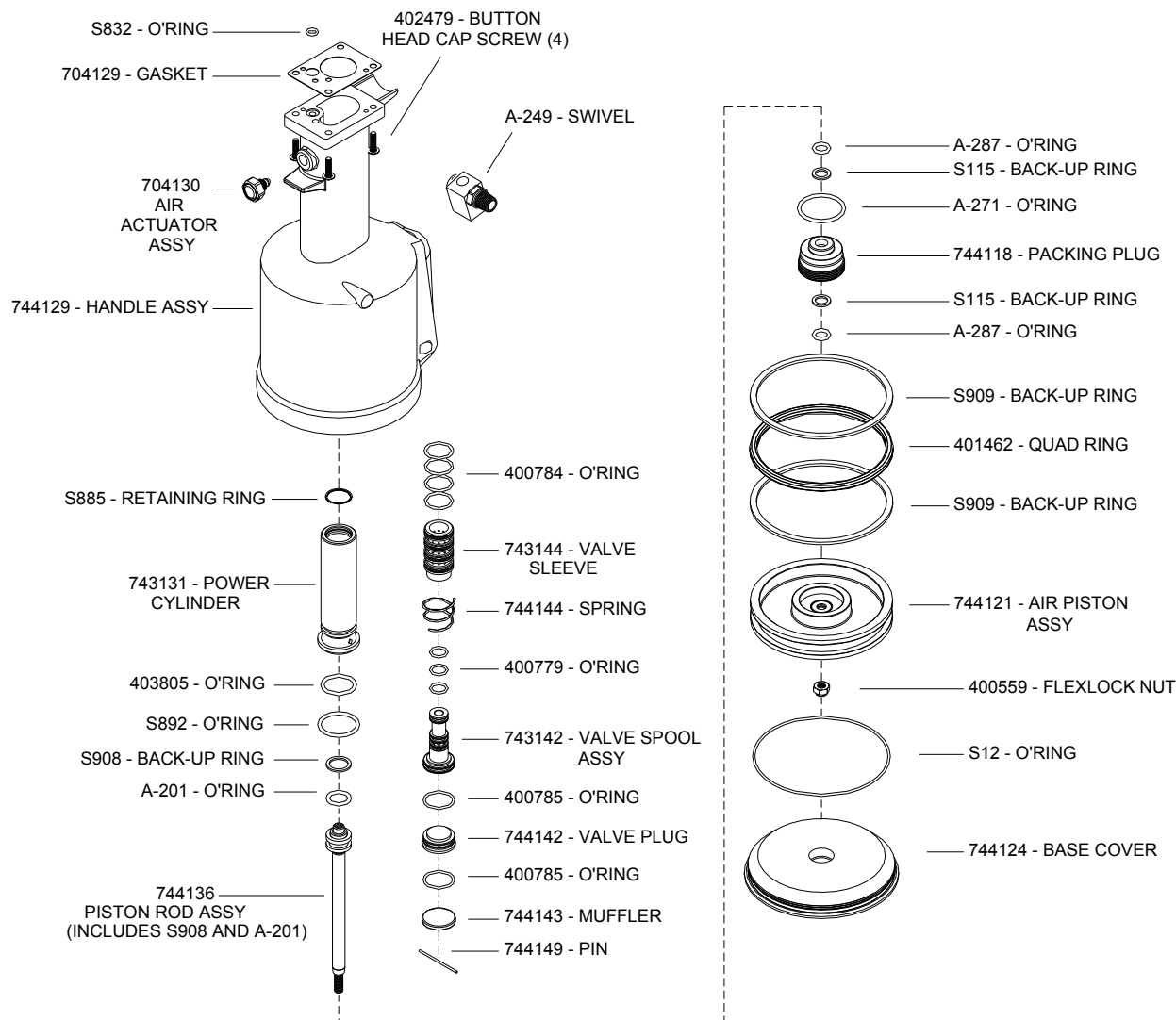
To inspect air cylinder bore, remove o'ring (S12) and base cover (744124). Any further disassembly will require removal of the head cylinder assy (743108) first. For complete disassembly, start by removing o'ring (S12) and base cover (744124). Next, holding tool upright, remove four button-head cap screws (402479). Lift head cylinder assy (743108) from handle assy (744129) and set aside o'ring (S832) and gasket (704129). Empty all hydraulic oil into an approved container and dispose of in accordance with all environmental regulations applicable in your area. Place piston rod wrench (704149) down into top of power cylinder (743131), into the hex of piston rod assy (744136). While holding this wrench, remove flexlock nut (400559) using a 7/16" socket wrench. Still holding piston rod wrench (704149), remove air piston assy (744121) using packing plug wrench (704150), by turning counterclockwise. When air piston assy (744121) is completely free from piston rod assy (744136), tap or push on the piston rod wrench (704149), to eject air piston assy (744121) from bottom of handle assy (744129). After removal of air piston assy (744121), slide piston rod assy (744136) back up to the end of its travel. Using packing plug wrench (704150) remove packing plug (744118). With packing plug removed, power cylinder (743131) can be removed by pushing on power cylinder tool (704151) when inserted into top of power cylinder (743131).

To reassemble the handle assy (744129), reverse the above procedure, being certain that all o'rings are properly lubricated before installation. Torque packing plug (744118) to 45 foot lbs. Attach the seal guide (704152) to the piston rod assy (744136) and tap the piston rod assy (744136) through the packing plug (744118). Attach air piston assy (744121) and flexlock nut (400559), torque flexlock nut (400559) to 40 inch lbs. With the piston rod assy (744136) in the down position, fill oil passage on top of handle assy (744129) with automatic transmission oil, Dexron III or equivalent, when looking at top of handle assy (744129) the oil passage is the hole that has a counterbore for o'ring (S832). Replace gasket (704129) and o'ring (S832) just prior to replacing head cylinder assy (743108). (See Filling & Bleeding instructions.)

AIR VALVE

WARNING: Disconnect tool from its air source before disassembly.

To disassemble, first disconnect tool from its air source. Remove pin (744149) and muffler (744143). Insert valve extractor (S1178) into end of valve plug (744142) and pull it out. Using the same procedure, pull out valve spool assy (743142). NOTE: It should never be necessary to remove valve sleeve (743144) unless the ports in the valve sleeve (743144) are plugged from contaminated air. If ports are plugged, use needle nose pliers to grasp end of spring (744144), turning clockwise and pulling to dislodge from groove in casting. NOTE: Valve spring (744151) tool will facilitate the proper installation of the spring (744144), valve sleeve (743144) can be pulled out using valve sleeve removal tool (744152).



DEXRON® III OIL SAFETY DATA

FIRST AID MEASURES

Eye: No specific first aid measures are required. As a precaution, remove contact lenses, if worn, and flush eyes with water.
Skin: No specific first aid measures are required. As a precaution, remove clothing and shoes if contaminated. To remove the material from skin, use soap and water. Discard contaminated clothing and shoes or thoroughly clean before reuse.
Ingestion: No specific first aid measures are required. Do not induce vomiting. As a precaution, get medical advice.
Inhalation: No specific first aid measures are required. If exposed to excessive levels of material in the air, move the exposed person to fresh air. Get medical attention if coughing or respiratory discomfort occurs.
Note to Physicians: In an accident involving high-pressure equipment, this product may be injected under the skin. Such an accident may result in a small, sometimes bloodless, puncture wound. However, because of its driving force, material injected into a fingertip can be deposited into the palm of the hand. Within 24 hours, there is usually a great deal of swelling, discoloration, and intense throbbing pain. Immediate treatment at a surgical emergency center is recommended.

FIRE

Leaks/ruptures in high pressure system using materials of this type can create a fire hazard when in the vicinity of ignition sources (eg. open flame, pilot lights, sparks, or electric arcs).

FLAMMABLE PROPERTIES:

Flashpoint: (Cleveland Open Cup) 178 °C (352 °F) Minimum

EXTINGUISHING MEDIA: Use water fog, foam, dry chemical or carbon dioxide (CO₂) to extinguish flames.

PROTECTION OF FIRE FIGHTERS:

Fire Fighting Instructions: This material will burn although it is not easily ignited. See Section 7 for proper handling and storage. For fires involving this material, do not enter any enclosed or confined fire space without proper protective equipment, including self-contained breathing apparatus.

Combustion Products: Highly dependent on combustion conditions. A complex mixture of airborne solids, liquids, and gases including carbon monoxide, carbon dioxide, and unidentified organic compounds will be evolved when this material undergoes combustion.

ACCIDENTAL RELEASE MEASURES

Protective Measures: Eliminate all sources of ignition in vicinity of spilled material.

Spill Management: Stop the source of the release if you can do it without risk. Contain release to prevent further contamination of soil, surface water or groundwater. Clean up spill as soon as possible. Use appropriate techniques such as applying non-combustible absorbent materials or pumping. Where feasible and appropriate, remove contaminated soil. Place contaminated materials in disposable containers and dispose of in a manner consistent with applicable regulations.

ECOLOGICAL INFORMATION

Waste disposal: In accordance with all environmental regulations applicable to your area.

Spillage: Prevent entry into drains, sewers and water course. Soak up with diatomaceous earth or other inert material. Store in appropriate container for disposal.

Ecotoxicity: This material is expected to be harmful to aquatic organisms and may cause long-term adverse effects in the aquatic environment. The ecotoxicity hazard is based on an evaluation of data for the components or a similar material.

HANDLING

Precautionary Measures: DO NOT USE IN HIGH PRESSURE SYSTEMS in the vicinity of flames, sparks and hot surfaces. Use only in well ventilated areas. Keep container closed. Keep out of the reach of children.

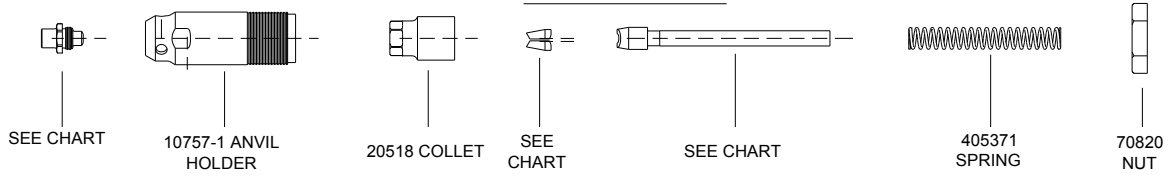
General Handling Information: Avoid contaminating soil or releasing this material into sewage and drainage systems and bodies of water.

Static Hazard: Electrostatic charge may accumulate and create a hazardous condition when handling this material. To minimize this hazard, bonding and grounding may be necessary but may not, by themselves, be sufficient. Review all operations which have the potential of generating and accumulating an electrostatic charge and/or a flammable atmosphere (including tank and container filling, splash filling, tank cleaning, sampling, gauging, switch loading, filtering, mixing, agitation, and vacuum truck operations) and use appropriate mitigating procedures.

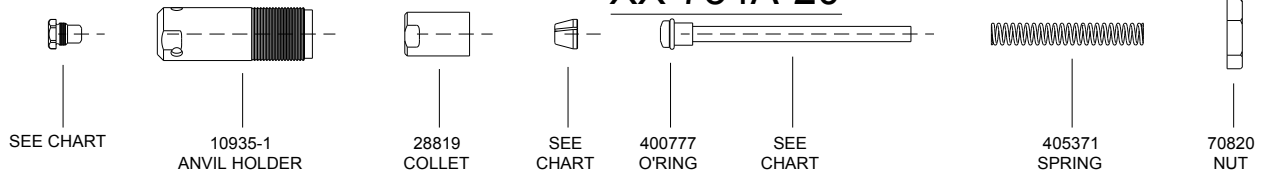
DISPOSAL CONSIDERATIONS

Use material for its intended purpose or recycle if possible. Oil collection services are available for used oil recycling or disposal. Place contaminated materials in containers and dispose of in a manner consistent with applicable regulations.

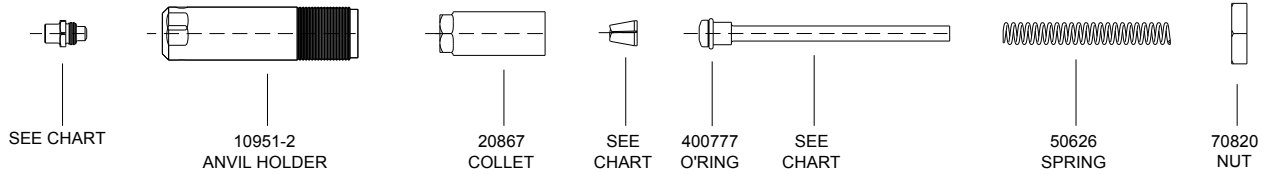
XX-703-18



XX-734A-20



XX-743-24



RIVET	DIA.	NOSE ASSEMBLY	NOSE TIP	JAW	FOLLOWER	DESIGNATION
AVEX® (1624 PROTRUDING HEAD)	3/16	AV6-743-24 ₁	10248-7	30824	48808	AV6
AVEX (1624 COUNTERSUNKHEAD)	3/16	6C-743-24 ₁	10248-8	30824	48808	6C
BULB-TITE® (STRUCTURAL) RIVET	3/16	BT06-743-24 ₁	12282-1	30824	48808	BT06
	1/4	BT08-743-24 ₁	10391	30824	48808	BT08
	9/32	BT09-743-24 ₁	10289	30824	40901	BT09
KLAMP-TITE® (STRUCTURAL) RIVET	3/16	6KT-743-24 ₁	10263	30824	48808	6KT
	1/4	8KT-743-24 ₁	10262	30824	48808	8KT
MILLIMETER SEAL PLUG	4MM	5N-743-24 ₁	10203	30824	48808	5N
	5MM	6N-743-24 ₁	10204	30824	48808	6N
MONOBOLT® RIVET	3/16	MB06-734A-20 ₂	-	-	-	MB06
	1/4	MB08-734A-20 ₂	-	-	-	MB08
OPEN END NAIL RIVET	3/32	3N-703-18 ₂	-	-	-	3N
	1/8	4N-703-18 ₂	-	-	-	4N
	5/32	5N-703-18 ₂	-	-	-	5N
	3/16	6N-743-24 ₁	10204	30824	48808	6N
	1/4	8N-743-24 ₁	10211	30824	48808	8N
CLOSED END NAIL RIVET (ALUMINUM MANDREL)	3/32	3N-703-18 ₂	-	-	-	3N
	1/8	4CEA-703-18 ₂	-	-	-	4CEA
	5/32	5CEA-703-18 ₂	-	-	-	5CEA
	3/16	6CEA-743-24 ₁	13473	30824	48808	6CEA
CLOSED END NAIL RIVET (STEEL MANDREL)	3/32	3N-703-18 ₂	-	-	-	3N
	1/8	4CES-703-18 ₂	-	-	-	4CES
	5/32	5CES-703-18 ₂	-	-	-	5CES
	3/16	6CES-743-24 ₁	13477	30824	48808	6CES
PLASTIC SPLIT RIVET	1/4	8CES-743-24 ₁	13469	30824	48808	8CES
	3/32	3P-703-18 ₂	-	-	-	3P
	1/8	4P-703-18 ₂	-	-	-	4P
T RIVET®	5/32	5P-703-18 ₂	-	-	-	5P
	3/16	6P-743-24 ₁	10167	30824	48808	6P
	1/4	8P-743-24 ₁	10166	30824	48808	8P
TLR® RIVET	3/16	6T-743-24 ₁	10209	30824	48808	6T
	1/4	8T-743-24 ₁	10286	30824	48808	8T
COUNTERSUNK HEAD	1/4	8TLR-743-24 ₁	10246	30824	48808	8TLR
	3/16	C6-734A-20 ₂	-	-	-	C6
SERRATED STEM STRUCTURAL RIVET	1/4	C8-734A-20 ₂	-	-	-	C8
PROTRUDING HEAD	3/16	PH6-734A-20 ₂	-	-	-	PH6
	1/4	PH8-734A-20 ₂	-	-	-	PH8

AVEX®, KLAMP-TITE®, TLR® AND MONOBOLT® ARE REGISTERED TRADEMARKS OF AVDEL UK LIMITED. T RIVET® IS A REGISTERED TRADEMARK OF CHERRY AEROSPACE FASTENERS. BULB-TITE® IS A REGISTERED TRADEMARK OF GESIPA FASTENERS USA, INC.

1) YOU CAN CHANGE THE 743-24 NOSE ASSEMBLY (INCLUDED WITH TOOL) TO INSTALL OTHER FASTENERS BY PURCHASING NOSE TIP SHOWN AND USING APPROPRIATE FOLLOWER SHOWN.

2) NOSE ASSEMBLIES WITH A 703-18 AND 734A-20 DESIGNATION, I.E. 5P-703-18₂ MUST BE ORDERED AS COMPLETE NOSE ASSEMBLY.

NOTE: THE LAST 2 DIGITS OF THE NOSE ASSEMBLY REPRESENTS THE LENGTH THE NOSE EXTENDS FROM THE TOOL I.E. -20 = 2.0 INCHES



DECLARATION OF CONFORMITY

MANUFACTURER: Gage Bilt Inc. 44766 Centre Ct. Clinton Twp. Michigan (586-226-1500)

WE DECLARE THAT THE EQUIPMENT SPECIFIED HEREIN CONFORMS TO THE FOLLOWING DIRECTIVES AND STANDARDS

Machinery Directive 2006/42/EC

EN12100-1 & EN12100-2

EN792-1:2000+A1

EU REPRESENTATIVE: Edgar Hausmann GmbH Förster-Busch-Str. 10 D-34346 Hann. Münden Germany

EQUIPMENT DESCRIPTION: GB743 FASTENER INSTALLATION TOOL

This product specified above conforms to the above directives and standards.

SIGNATURE:

NAME: BRIAN LEIGH
PRODUCT MANAGER
CLINTON TWP., MI U.S.A.
MAY 2010
(586) 226-1500

WARRANTY

Seller warrants that all goods covered by this catalog will conform to applicable specifications and will replace or repair, F.O.B. our plant, any goods providing defective from faulty workmanship, or material, for 6 months from date of shipment.

Said warranty to remain in effect if, and only if, such goods are used in accordance with all instructions as to maintenance, operation and use, set forth in manuals and instruction sheets furnished by seller.

Sellers obligation under this warranty shall be limited to the repair or rework of the goods supplied or replacement thereof, at Seller's option, and in no case is to exceed the invoice value of said goods. Under no circumstances will the seller be liable for incidental or consequential damages or for damages incurred by the buyer or subsequent user in repairing or replacing defective goods or if the goods covered by this warranty are reworked or subjected to any type of additional processing.

This warranty is void if Seller is not notified in writing of any rejections or defects within 6 months after the receipt of the material by the customer.

THIS WARRANTY IS MADE IN LIEU OF ALL OTHER WARRANTIES EXPRESSED OR IMPLIED, INCLUDING MERCHANTABILITY.