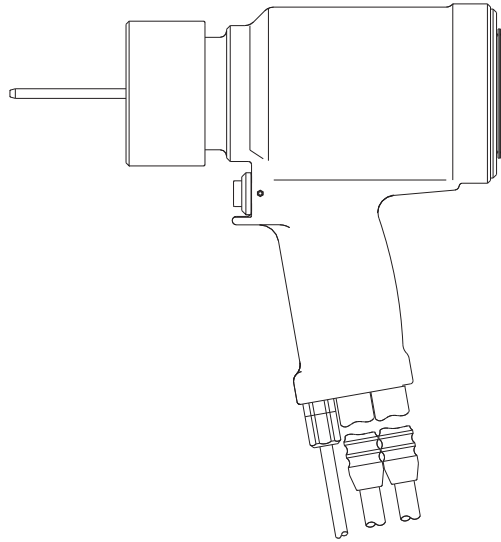
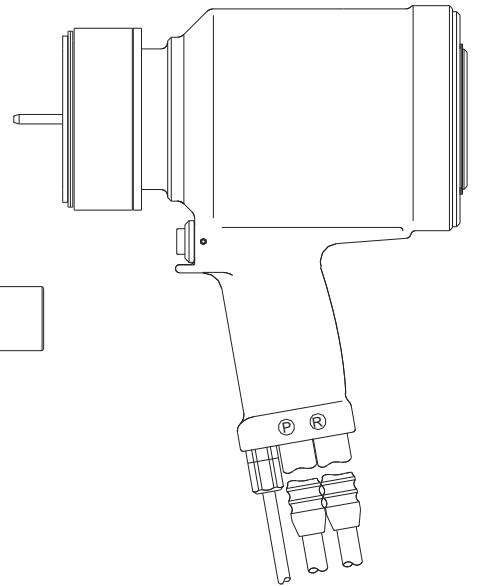


INSTRUCTION MANUAL

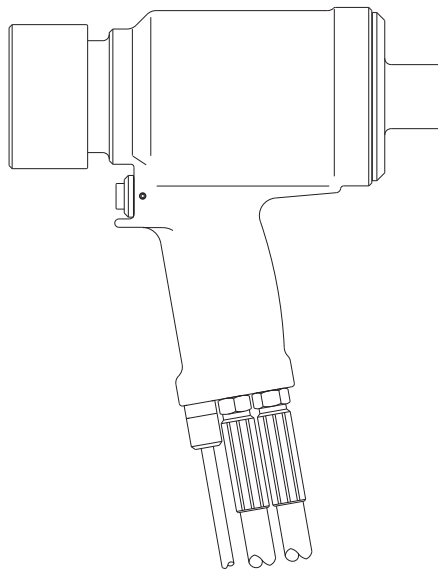
HYDRAULIC INSTALLATION TOOLS



2624
2624-15
2624XPL
2628
2628-15



2630
2630RR



2624HS

EU Declaration of Conformity

Manufacturer:

Alcoa Fastening Systems, Commercial Products Division, 1 Corporate Drive, Kingston, NY, 12401, USA

Description of Machinery:

Model numbers **2624, 2628, and 2630** style fastener installation tools

Relevant provisions complied with:

Council Directive related to Machinery, (89/392/EEC), (91/368/EEC), (93/44/EEC), (93/68/EEC)

Council Directive related to EMC/EMI, (89/336/EEC)

European Representative:

Rob Pattenden, Huck International, Ltd. Unit C Stafford Park 7, Telford Shropshire TF3 3BQ, England, United Kingdom

Authorized Signature/date:

I, the undersigned, do hereby declare that the equipment specified above conforms to the above Directive(s) and Standard(s).

Signature: _____



Full Name: Henk Rosier

Position: Engineering Manager
Installation Systems Division

Place: Kingston, New York, USA

Date: October, 2004

Sound Levels

Models: 2624, 2628, and 2630 STYLES

	SEL dB (A)	Peak Value dB (C)	Leq dB (A)
2624 series	94.3	108.2	73.8
2628 series	97.4	108.2	76.9
2630 series	96.7	108.2	76.2

Leq reflects the equivalent noise level result of installing 250 typical Huck fasteners for an eight hour work day.

To calculate equivalent noise level for other quantities of fasteners in an eight hour period, use the formula:

$$\text{Leq} = \text{SEL} + 10 \log (n/28,800)$$

where **n** = number of fasteners in eight hours.

Vibration Levels

Models: 2624, 2628, and 2630 STYLES

For an eight hour work day, installing 400 typical Huck fasteners will result in an equivalent weighted RMS vibration level (Aeq) of:

2624 series - 5.4m/s²

2628 series - 4.6m/s²

2630 series - 4.3m/s²

To calculate equivalent vibration level for other quantities of fasteners in an eight hour period, use the formula:

$$\text{Equivalent Vibration Level, Aeq (m/s}^2\text{)} = (n/480) \times 2.00$$

where **n** = number of fasteners in eight hours,
and **2.00(m/s²)** = Aeq for 60 seconds.

Test data to support the above information is on file at Alcoa Fastening Systems, Commercial Products Division, Kingston Operations, Kingston, NY, USA. Vibration measurements are frequency weighted in accordance with ISO 8041 (1990).


CONTENTS


EU DECLARATION OF CONFORMITY	2
SAFETY	4
PRINCIPLE OF OPERATION	5
SPECIFICATIONS	6-9
PREPARATION FOR USE	10
SERVICING THE TOOL	
Good Service Practices	10-11
Preventive Maintenance	11
Disassembly	11-12
Assembly	13-14
Tool Assembly Drawings	15-18
Parts List	19
Hose Assembly Drawing	20
STICKER LOCATIONS	21
KITS & ACCESSORIES	21
TROUBLESHOOTING	22


SAFETY


This instruction manual must be read with particular attention to the following safety guide lines, by any person servicing or operating this tool.

1. Safety Glossary

 — Product complies with requirements set forth by the relevant European directives.

 — Read manual prior to using equipment.

 — Eye protection required while using this equipment.

 — Hearing protection required while using this equipment.



WARNINGS - Must be understood to avoid severe personal injury.

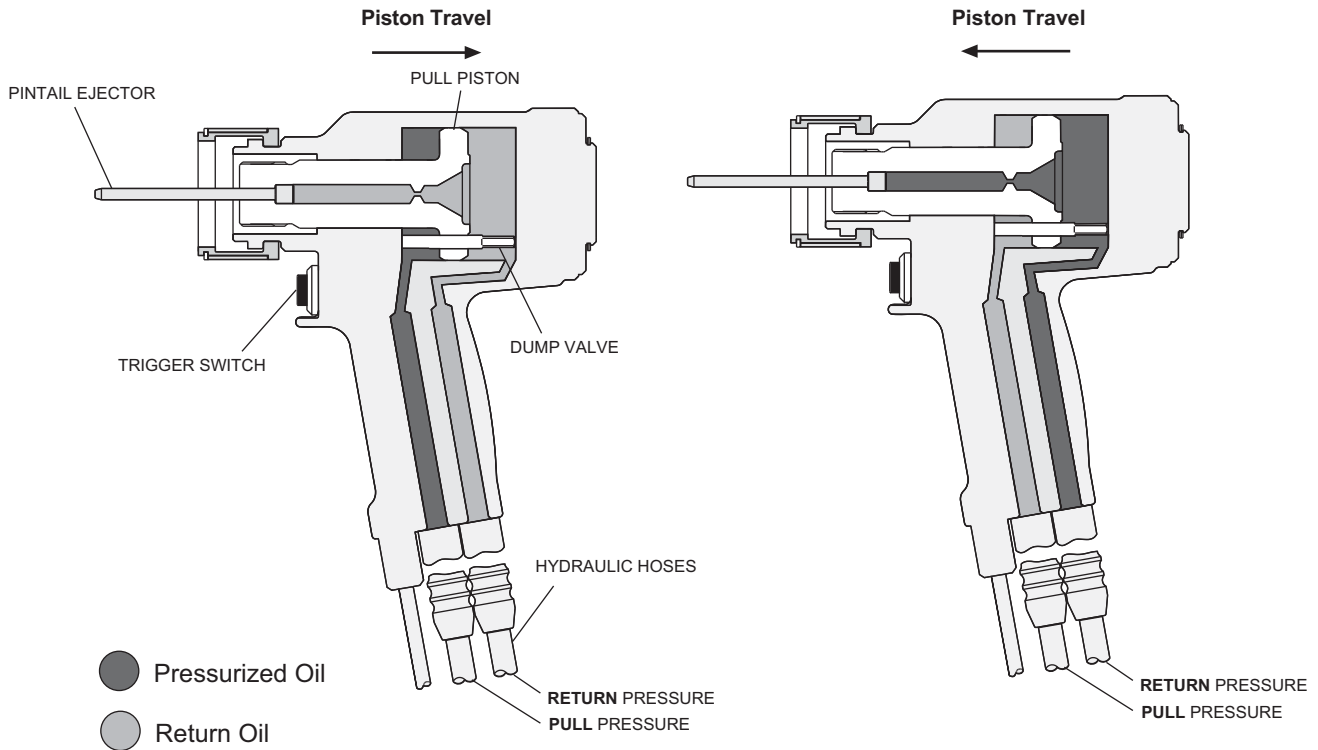
CAUTIONS - show conditions that will damage equipment and or structure.

Notes - are reminders of required procedures.

Bold, Italic type and underlining - emphasizes a specific instruction.

2. Huck equipment must be maintained in a safe working condition at all times and inspected on a regular basis for damage or wear. Any repair should be done by a qualified repairman trained on Huck procedures.
3. Repairman and Operator must read manual prior to using equipment and understand any Warning and Caution stickers/labels supplied with equipment before connecting equipment to any primary power supply. As applicable, each of the sections in this manual have specific safety and other information.
4. See MSDS Specifications before servicing the tool. MSDS Specifications are available from you Huck representative or on-line at www.huck.com. Click on Installation Systems Division.
5. When repairing or operating Huck installation equipment, always wear approved eye protection. Where applicable, refer to ANSI Z87.1 - 1989
6. Disconnect primary power source before doing maintenance on Huck equipment.
7. If any equipment shows signs of damage, wear, or leakage, do not connect it to the primary power supply.
8. Make sure proper power source is used at all times.
9. Never remove any safety guards or pintail deflectors.
10. Never install a fastener in free air. Personal injury from fastener ejecting may occur.
11. When using an offset nose always clear spent pintail out of nose assembly before installing the next fastener.
12. If there is a pinch point between trigger and work piece use remote trigger. (Remote triggers are available for all tooling).
13. Do not abuse tool by dropping or using it as a hammer. Never use hydraulic or air lines as a handle. Reasonable care of installation tools by operators is an important factor in maintaining tool efficiency, eliminating downtime, and in preventing an accident which may cause severe personal injury.
14. Never place hands between nose assembly and work piece.
15. Tools with ejector rods should never be cycled with out nose assembly installed.
16. When two piece lock bolts are being used always make sure the collar orientation is correct. See fastener data sheet of correct positioning.

PRINCIPLE OF OPERATION



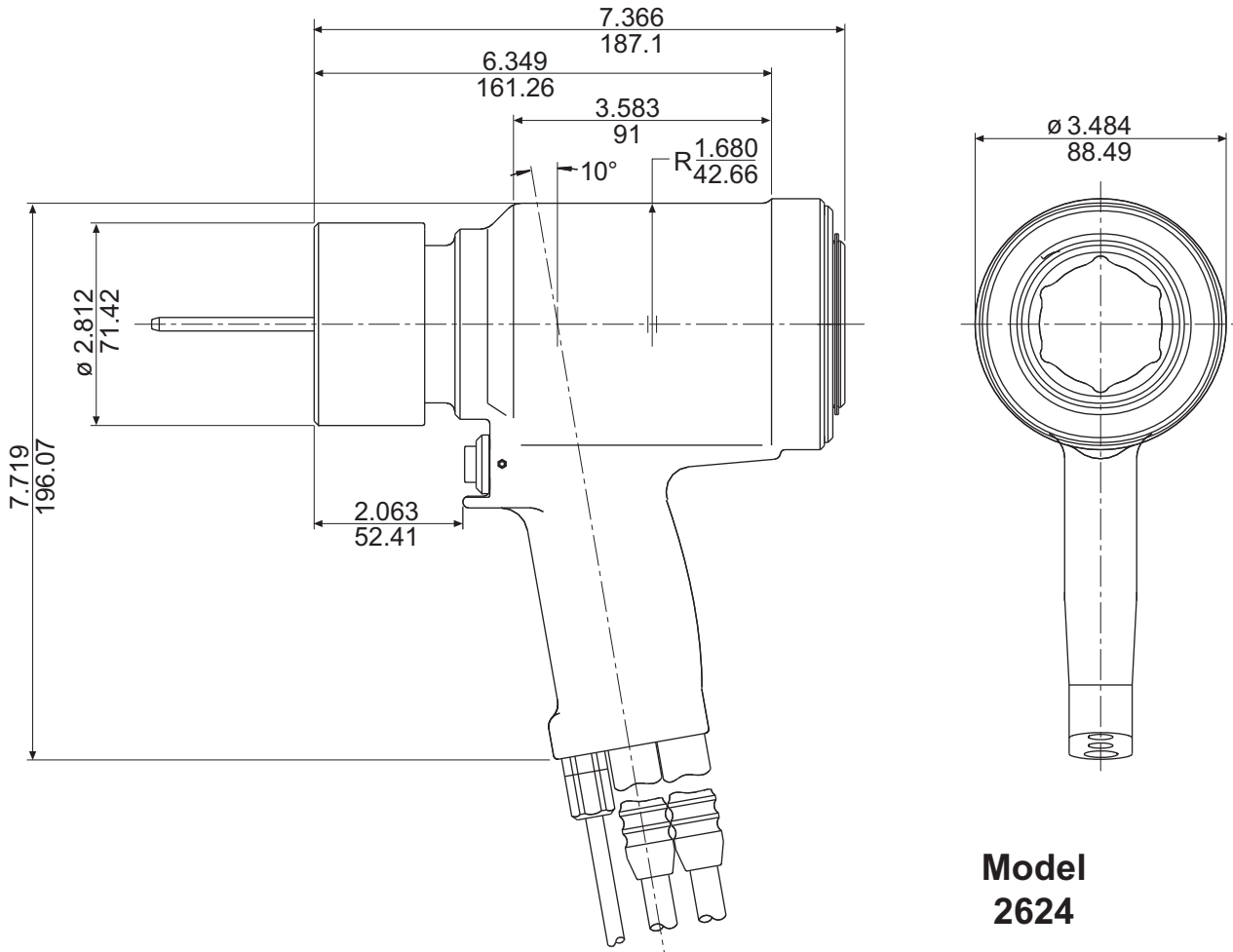
Pull Pressure (Pull Cycle)
Fig. 1(a)

Return Pressure (Return Cycle)
Fig. 1(b)

When the trigger is depressed, a solenoid operated valve in the POWERIG® directs pressurized hydraulic fluid through the PULL hose to the front side of the piston, and allows fluid on the RETURN side to flow back to the tank (Fig 1a). The piston and nose assembly collet moves rearward installing the fastener. When the piston reaches the end of the PULL stroke, it uncovers flats on the rear end of the unloading valve. These flats are designed to provide a passage for hydraulic fluid from the PULL side to the RETURN side of

the piston, “unloading” or “dumping” the pressurized fluid back to the tank (Fig 1a). When the trigger is released the solenoid is de-energized and the valve directs pressurized fluid to the rear side of the piston and allows fluid on the PULL side to flow back to the tank (Fig. 1b). This causes piston and collet to move forward and pushes the nose assembly and tool off the swaged (installed) fastener. When the piston reaches the end of the return stroke, pressure is built up, causing the power rig to shut off, completing the cycle.

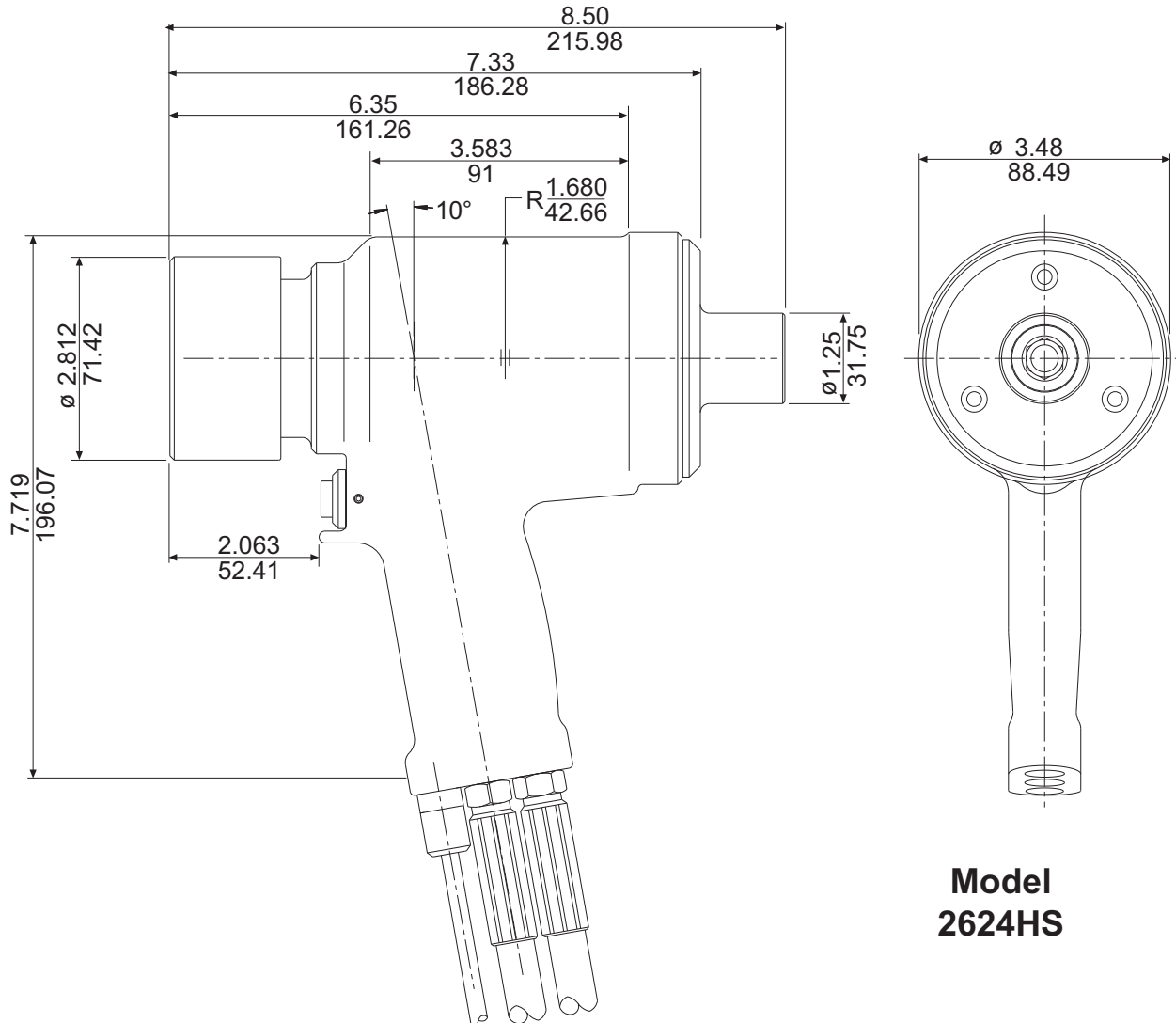
SPECIFICATIONS 2624



**Model
2624**

- **Stroke:** 1.687in
- **Weight:** 17 lbs 8oz
- **Pull Pressure:** 7,400 psi
- **Return Pressure:** 3,200 psi
- **Capacity:** 30,356 lbs @ 6,500 psi
-

SPECIFICATIONS 2624HS



• **Stroke:** 1.687in

• **Weight:** 24 lbs

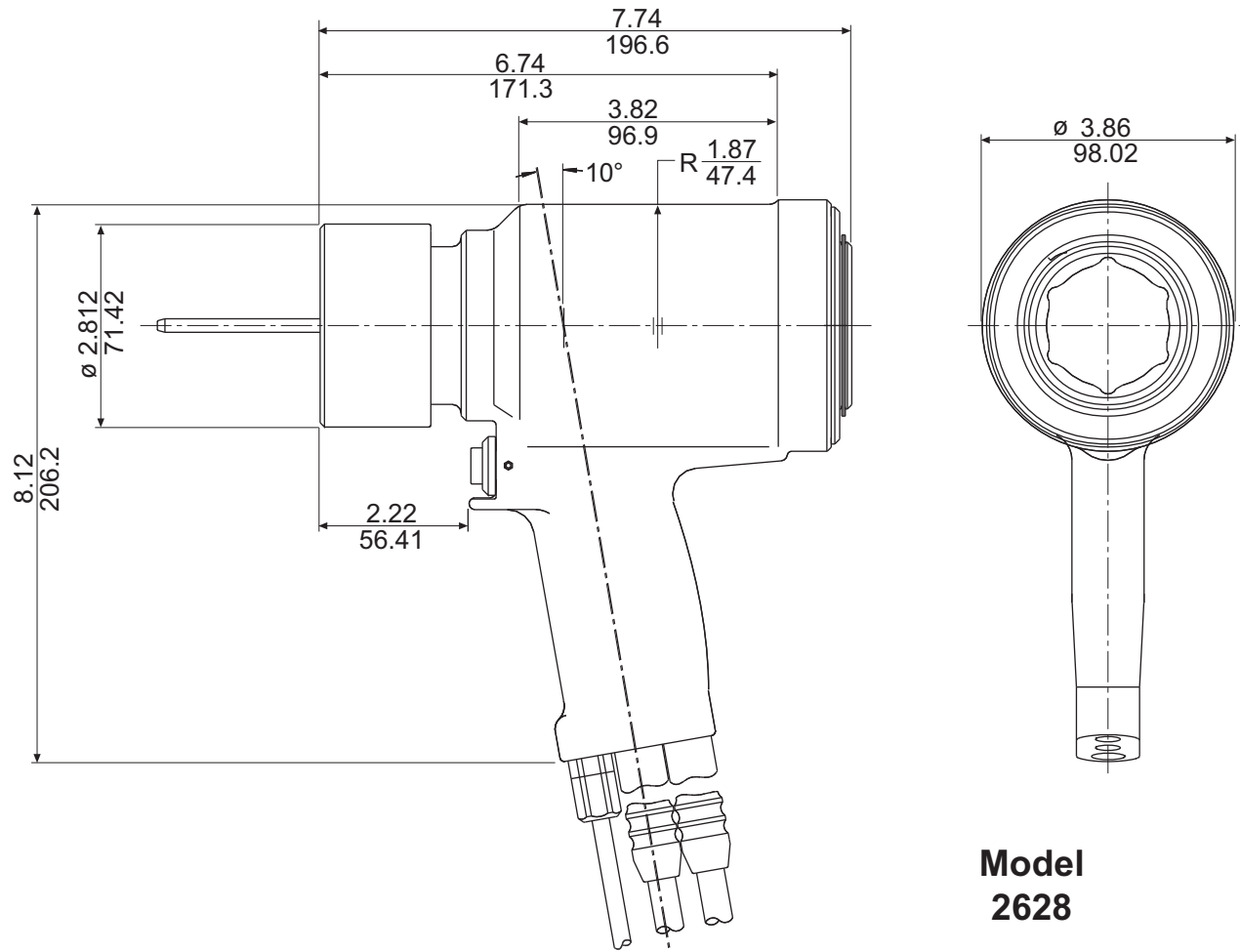
• **Pull Pressure:** 7,400 psi

• **Return Pressure:** 3,200 psi

• **Capacity:** 30,356 lbs @ 6,500 psi

•

SPECIFICATIONS 2628



- **Stroke:** 1.812 in

- **Weight:** 20 lbs 8 oz

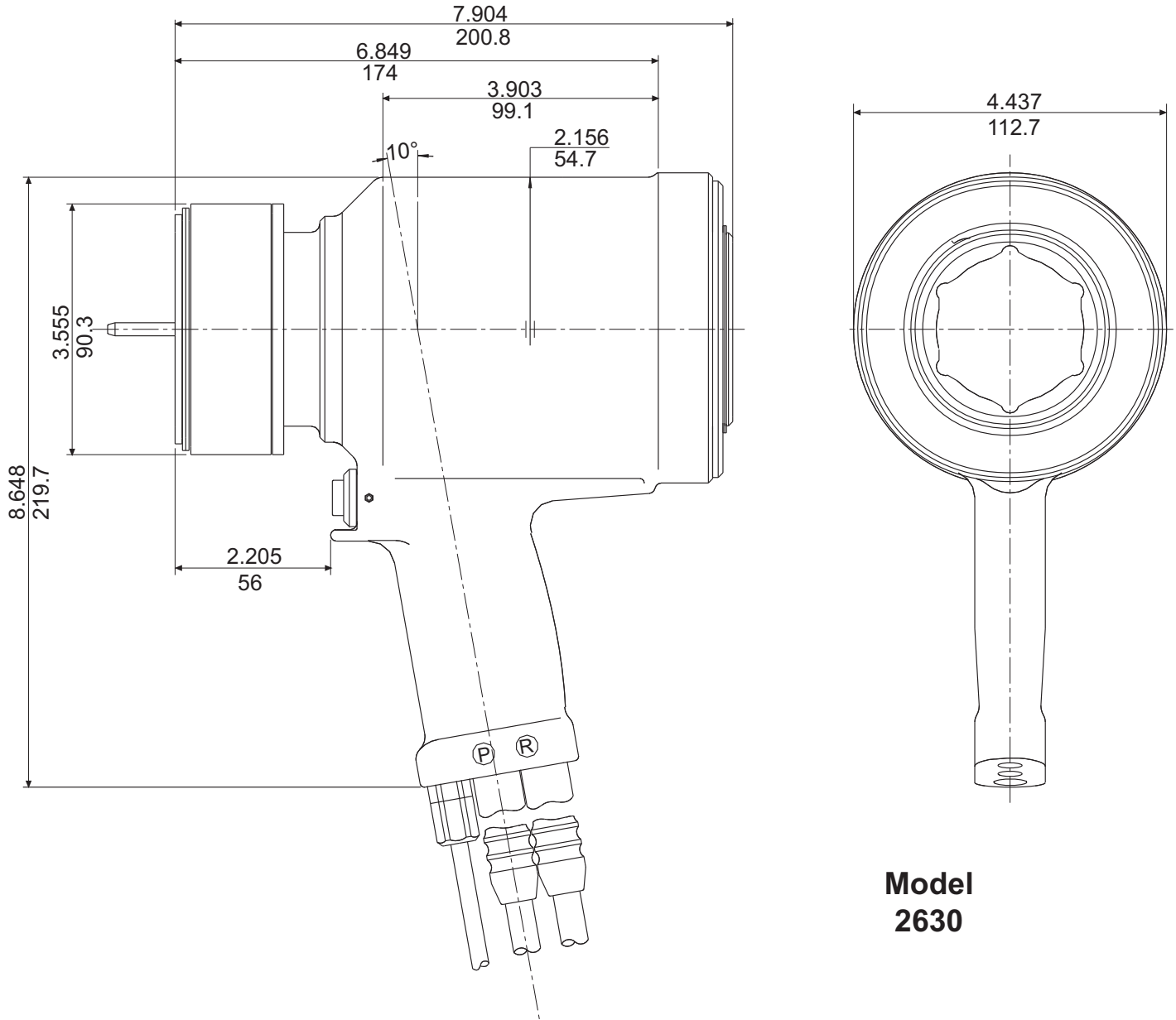
- **Pull Pressure:** 7,400 psi

- **Return Pressure:** 3,200 psi

- **Capacity:** 39,858 lbs @ 6,500 psi

-

SPECIFICATIONS 2630



**Model
2630**

- **Stroke:** 1.906 in
- **Weight:** 22.43 lbs
- **Pull Pressure:** 7,400 psi
- **Return Pressure:** 3,200 psi
- **Capacity:** 48,614 lbs @ 6,500 psi
-



PREPARATION FOR USE

1. Use Huck POWERIG® Hydraulic Unit, or equivalent, that has been prepared for operation per applicable **instruction manual**. Check both PULL and RETURN pressures, and if required, adjust to pressures given in **specifications of this manual**.



WARNING - Proper PULL and RETURN pressures are important for proper function of Installation Tools. Severe personal injury or damage to equipment may occur without correct pressures. Huck Pressure Gauge P/N T-10280 (old style) or the new T124833 is now available for checking these pressures using instructions furnished with the gauge and in applicable POWERIG® Hydraulic Unit instruction manuals. See Specifications.

2. First, turn hydraulic unit to OFF, and then, disconnect power supply from unit. Connect tool's hoses to unit.



WARNING - Be sure to connect tool hoses to hydraulic unit BEFORE connecting tool electrical switch cord to unit. Hoses and switch must be connected in this order and disconnected in the reverse order to prevent possible severe personal injury.

3. Connect tool's control switch electrical cord to hydraulic unit.
4. Connect hydraulic unit to power supply. Turn unit to ON. Hold tool trigger depressed for 30 seconds; depress trigger a few times to cycle tool and to circulate hydraulic fluid. Observe action of tool and check for leaks. Turn unit to OFF.
5. Select nose assembly for fastener to be installed. Disconnect tool's control switch electrical cord from hydraulic unit; disconnect unit from power supply. Attach nose assembly to tool.
6. Reconnect hydraulic unit to power supply. Reconnect tool's switch control cord to unit. Check operation of nose assembly; install fasteners in test plate of correct thickness with proper size holes. Inspect installed fasteners. If fasteners do not pass inspection, see **TROUBLESHOOTING** to locate and correct tool malfunction.



SERVICING THE TOOL

GOOD SERVICE PRACTICES

CAUTION: Keep dirt and other harmful material out of hydraulic system, which includes tool, hoses, couplers, and POWERIG Hydraulic Unit. Parts must be kept away from unclean work surfaces. Dirt in hydraulic system causes valve failure in hydraulic unit.

Individual parts must be handled carefully and examined for damage or wear. Replace parts where required. Always replace O-rings and Back-up Rings when tool is disassembled for any reason. See applicable Service Kit.



WARNING: Inspect tool for damage or wear before each use. Do not operate if damaged or worn, as severe personal injury may occur

- The efficiency and life of your tool depends on proper maintenance. Using this manual will help give a clear understanding of the tool and basic maintenance procedures. Please read this section completely before

proceeding with maintenance and repair. Use proper hand tools in a clean and well-lighted area. Only standard hand tools are required in most cases. Where a special tool is required, the description and part number are given.

- While clamping tool or parts in a vise, and when parts require force, use suitable soft materials to cushion impact. For example, using a half-inch brass drift, wood block, and vise with soft jaws greatly reduces possibility of damaging tool. Remove components in a straight line without bending, cocking, or undue force. Reassemble tool with the same care.
- Consult **TROUBLESHOOTING** section of this manual if a malfunction occurs and then see appropriate **DISASSEMBLY; ASSEMBLY** and/or Component illustration sections.

(continued)



SERVICING THE TOOL (cont.)

GOOD SERVICE PRACTICES (continued)

Sealants, Lubricants, Hydraulic Fluid & Service Kits

- Rub SLIC-TITE TEFLON thread compound, or equivalent, on pipe threads to prevent leaks and for ease of assembly. **CAUTION: Do not use TEFLON tape on pipe threads.** Particles of shredded tape cause hydraulic unit valve failure. (SLIC-TITE in stick form, 503237).
- Smear LUBRIPLATE 130AA, or equivalent, on O-rings and mating surfaces to prevent damaging O-rings on rough or sharp surfaces. Also, increases ease of assembly. (LUBRIPLATE in a tube, 502723).
- Each Service Kit contains perishable parts for your specific tool. As foreseeable use may indicate, keep extra kits (O-rings, Back-up Rings, other standard items) and tool parts in stock. When stock is depleted, you can get kit items from any regular retailer of these items. See kit parts list for: O-ring size (AS568- number); material; durometer. For kit parts lists and related information, see General Notes.

PREVENTIVE MAINTENANCE

System Inspection

Operating efficiency of the tool is directly related to the performance of the complete system, including the tool with nose assembly, hydraulic hoses, trigger switch and control cord, and POWERIG Hydraulic Unit. Therefore, an effective preventive maintenance program includes scheduled inspections of the system to detect and correct minor troubles.

- Inspect tool and nose assembly for external damage.
- Verify that hydraulic hose fittings and couplings, and electrical connections are secure.
- Inspect hydraulic hoses for damage and deterioration. Do not use hoses to carry tool. Replace hoses if damaged.
- Observe tool, hoses and hydraulic unit during operation to detect abnormal heating, leaks or vibration.

POWERIG Hydraulic Unit Maintenance

Refer to the applicable POWERIG instruction manual.

Tool Maintenance

Whenever disassembled and also at regular intervals (depending on severity and length of use) replace all seals, wipers and back-up rings in tool. Service Kits, hoses and extra parts should be kept in stock. Inspect cylinder bore, pistons and piston rods for scored surfaces and excessive wear or damage. Replace as necessary.

Nose Assembly Maintenance

Clean nose assembly often. Dip in mineral spirits, or similar solvent, to clean jaws and wash away metal chips and debris. At regular intervals, as experience shows, disassemble nose and use a sharp "pick" to remove imbedded particles from grooves of jaws.

DISASSEMBLY - ALL MODELS

For component identification and Parts Lists refer to Figures 8-12.

NOTE:

The following procedure is for complete disassembly of tool. Disassemble **only** components necessary to replace damaged O-rings, Quad-Rings, Back-up Rings, and worn or damaged components. Always use soft jaw vice to avoid damage to tool.



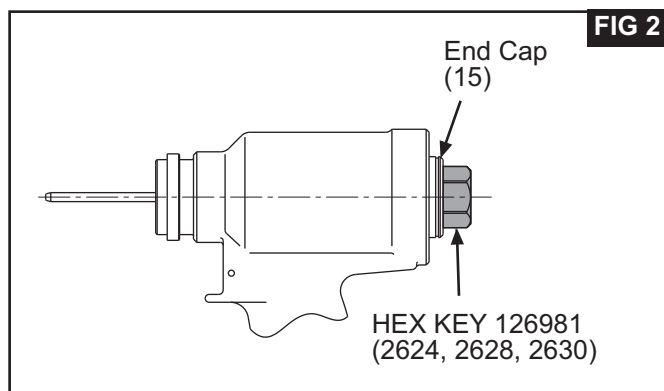
WARNING: Be sure to disconnect tool's electric control trigger system from Hydraulic Unit before disconnecting tool's hoses from unit. Before any maintenance is done, DISCONNECT IN THIS ORDER (RECONNECT IN THE OPPOSITE ORDER) to avoid possible severe personal injury.

1. Disconnect electrical or air connector from Powerig. Uncouple tool hydraulic hoses.
2. Remove nose assembly.
3. Unscrew coupling nipple and coupling body. Drain hydraulic hoses into container. Discard fluid.
4. Push rearward on Piston (4) until remaining hydraulic fluid is drained into container. Discard fluid.



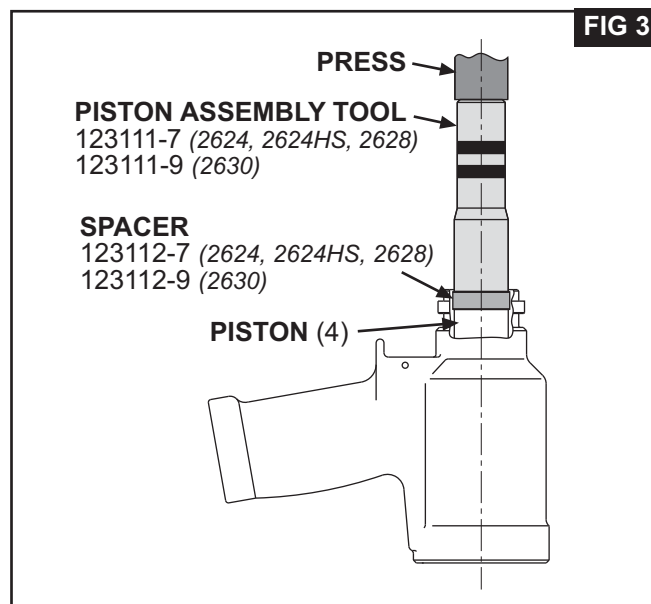
SERVICING THE TOOL (cont.)

5. **NOTE:** Do not remove hydraulic hoses from tool unless replacing hoses. If necessary to remove hoses, uncover hose fittings by sliding plastic shrouds back.
6. **NOTE:** Use the following steps **only** if the Switch, Wire or Connector needs repair.
Remove Retaining Nut and Locking Ferrule from Strain Relief (20). Loosen Set Screw (37) and remove Switch (21). Loosen and remove the two wires from the switch. Remove cord from tool. Disassemble electrical connector (110686).
7. **Models 2624, 2628, 2630:** (Figures 8, 10 & 11)
Remove Retaining Ring (17), cover plate (16) and Locking Disk (18).
Model 2624HS: (Figure 9)
Remove Screws (31), Retainer (30) and Locking Disk (18).
8. Insert Hex Key 126981 (shipped with tool) in End Cap (15) (Figure 2). Using a wrench, unscrew End Cap from Cylinder.

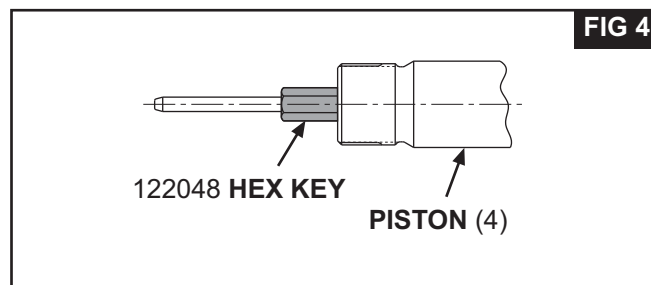


9. **Models 2624, 2628, 2630:** (Figures 8, 10 & 11)
Remove O-ring (9) and Back-up Ring (8)
Model 2624HS: (Figure 9)
Remove O-ring (9), Back-up Ring (8), Retaining Ring (36), Washer (35), Polyseal (34) and Wiper seal (33).
10. Remove Dump Valve (19) from rear of Cylinder.
11. Slide Spacer over Piston and thread on Piston Assembly Tool. Using a press push Front Gland and Piston assemblies out of the back of the Cylinder. (Figure 3)

12. Remove Piston Assembly Tool and Spacer (Figure 3).



13. Slide Front Gland (11) off of Piston (4) and remove Wiper (6), Wiper Housing (7), Back-up Ring (8), O-ring (9) and Polyseal (10) (Figures 8-11).
14. Remove GLYD Ring (13) from Piston (4) (Figure 5).
15. **Models 2624, 2628, 2630:** (Figures 8, 10 & 11)
Hold Piston (4) in a vise with soft jaws and remove Ejector Gland Assembly (22) with Hex Key 122048
16. **Models 2624, 2628, 2630:** (Figures 4, 8, 10 & 11)
Remove from Gland, Ejector Rod (29), Washer (23), O-rings (24), Wiper (26) Quad-Ring (28) and Back-up Ring (27).





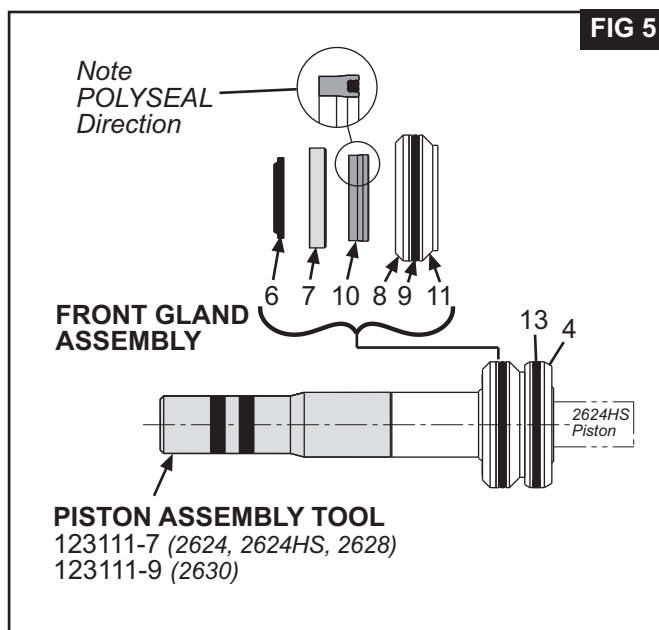
SERVICING THE TOOL (cont.)

ASSEMBLY All Models

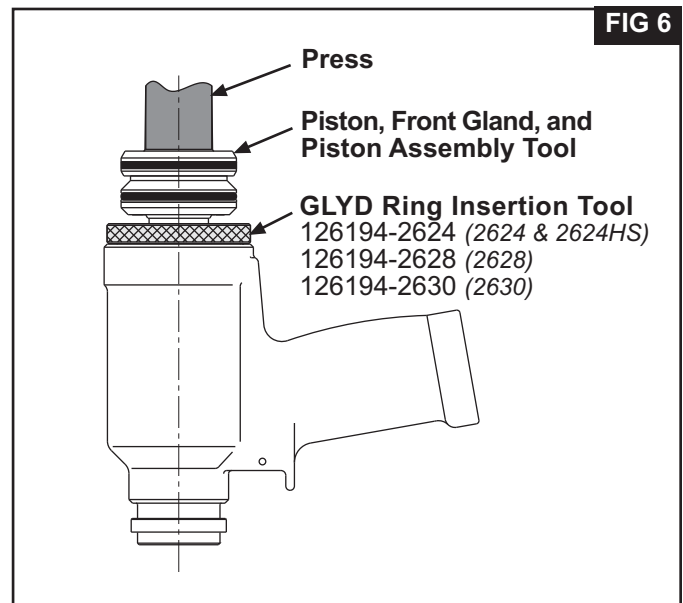
For component identification and Parts Lists, refer to Figures 8-12.

NOTE: Clean components with mineral spirits, or similar solvent. Inspect for wear/damage and replace as necessary. Replace all seals of disassembled components. Use O-rings, Quad-Rings and Back-up Rings in **Service Parts Kit 2620KIT (all models) and 2620-PTKIT (all models)**. Smear LUBRIPLATE 130AA or PARKER-O-LUBE on O-rings, Quad-Rings, Back-up Rings and mating parts to ease assembly. Assemble tool taking care not to damage O-rings, Quad-Rings, or Back-up Rings.

- Models 2624, 2628, 2630:** (Figures 8, 10 & 11) Install Back-up Ring (27), Quad-Ring (28), Wiper (26), O-rings (24), Washer (23) and Ejector Rod (29) into Ejector Gland (25).
- Models 2624, 2628, 2630:** (Figures 4, 8, 10 & 11) Hold Piston (4) in a vise with soft jaws and install assembled Ejector Gland (22). Use Hex Key 122048 to tighten.
- Thread Piston Assembly Tool, onto Piston (4) (Figure 5). **Note: Do not install Spacer.**
- Install GLYD Ring (13) onto Piston (4) (Figure 5).



- Install Polyseal (10), O-ring (9), Back-up Ring (8), Wiper Housing (7) and Wiper (6) into Front Gland (11) (Figure 5).
- Lubricate Piston Assembly Tool and Piston, then slide assembled Gland (11) over Piston Assembly Tool onto Piston (Figure 5).
- Thread GLYD Ring Insertion Tool into the back of the Cylinder (Figure 6).



- Using a press, push Piston and Front Gland Assemblies into the back of Cylinder (5). (Figure 6)
- Remove Piston Assembly Tool (Figure 5).
- Remove the GLYD Ring Insertion Tool from the back of the Cylinder (Figure 6).
- From the rear of Cylinder, install Dump Valve (19) with the **four flats facing the rear of the tool** (Figures 8-11).

(continued)

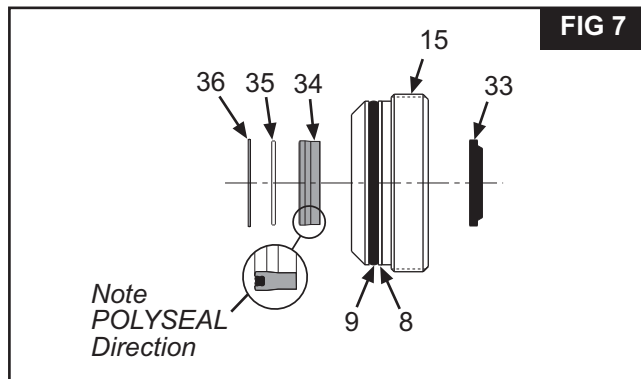


SERVICING THE TOOL (cont.)

12. **Models 2624, 2628, 2630:** (Figures 8, 10 & 11)
Install O-ring (9) and Back-up Ring (8) on End Cap (15).

Model 2624HS: (Figures 7 & 9)

Install Back-up Ring (8), O-ring (9), Wiper Seal (33), Polyseal (34), Washer (35) and Retaining Ring (36) into End Cap (15).



13. Insert Hex Key into the End Cap (15). Using a wrench thread the End Cap into the back of the Cylinder and tighten (Figure 2).
14. **Models 2624, 2628, 2630:** (Figures 8, 10 & 11)
Install Locking Disk (18), Cover Plate (16) and Retaining Ring (17).
- Model 2624HS:** (Figure 9)
Install Locking Disk (18), Barbed Retainer (30), Screws (31) and Deflector (32).
15. If removed, reinstall Electrical Connector (Figure 12).
16. **NOTE: If switch or wire have been removed, replace as follows:**
Slide Retaining Nut and Ferrule onto Electrical Wire. Feed Wire through Handle and pull out through the Trigger Switch hole. Attach Wires to Switch (21) and push the assembly back into the Handle. Tighten Screw (37) to hold Trigger Switch in place. Slide Ferrule into Strain Relief Housing, then thread and tighten Retaining Nut (Figures 8-12).
17. If removed, install one hydraulic Hose in Handle port marked "P" and one in port marked "R".
CAUTION: Do not use TEFLON tape on pipe threads. (See GOOD SERVICE PRACTICES section of this manual, pages 10-11)
18. Install Coupler Nipple 110438, (PULL pressure hose), Coupler Body 110439, (RETURN pressure hose) (Figure 12).

..... Use Area Below for Service Notes:

ASSEMBLY DRAWING 2624, 2624-15, & 2624XPL

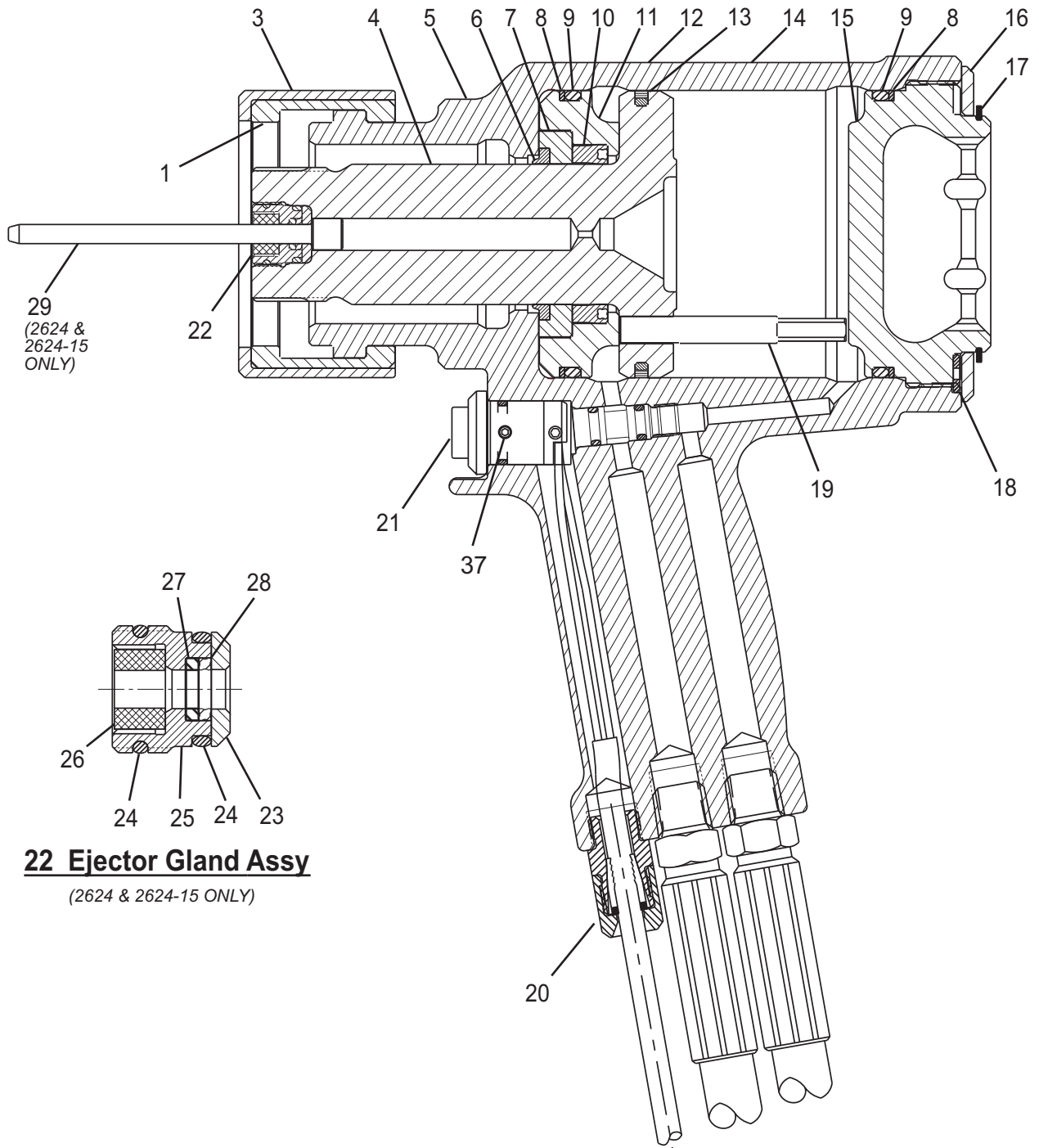


FIGURE 8

ASSEMBLY DRAWING 2624HS

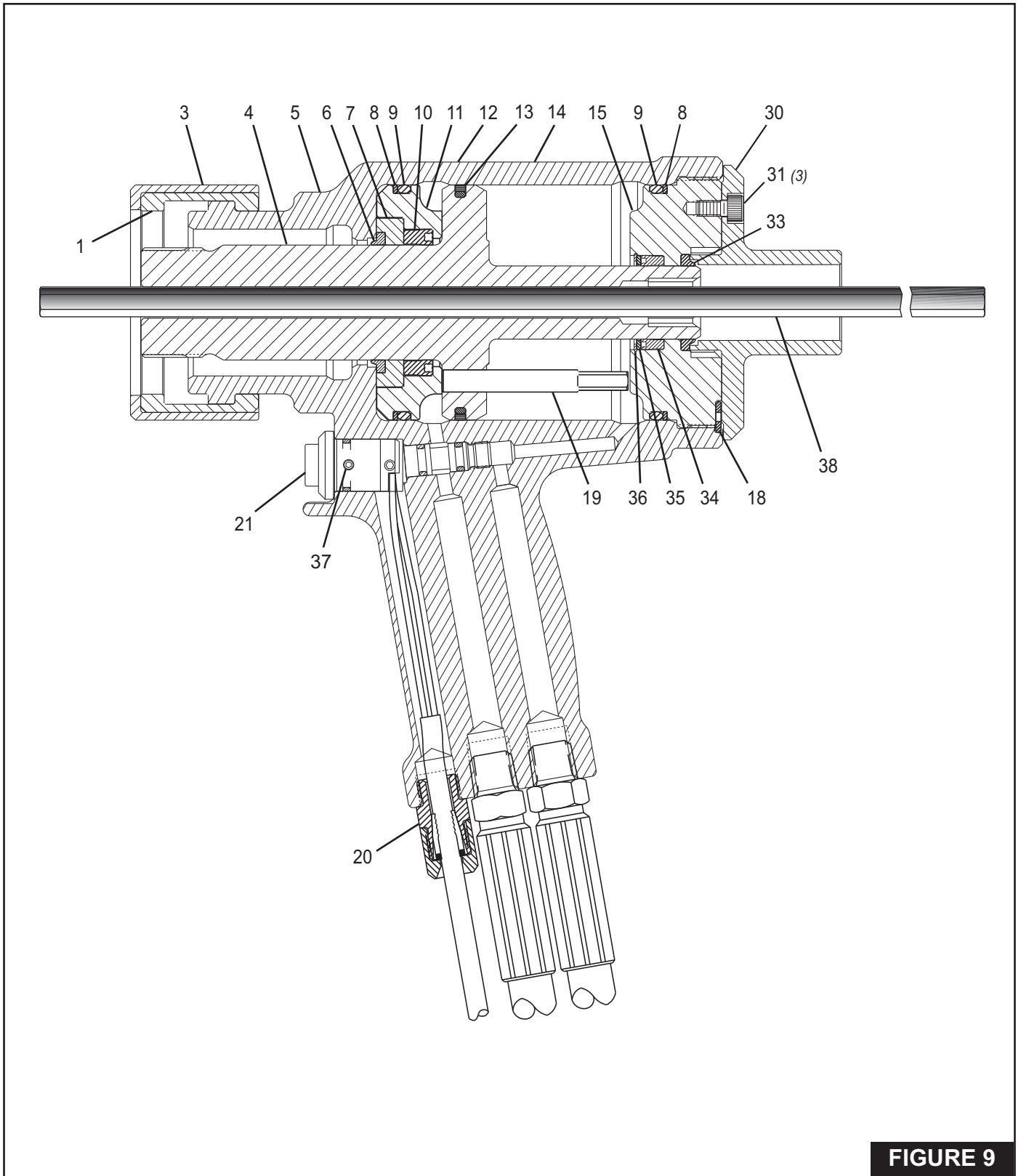


FIGURE 9

ASSEMBLY DRAWING 2628 AND 2628-15

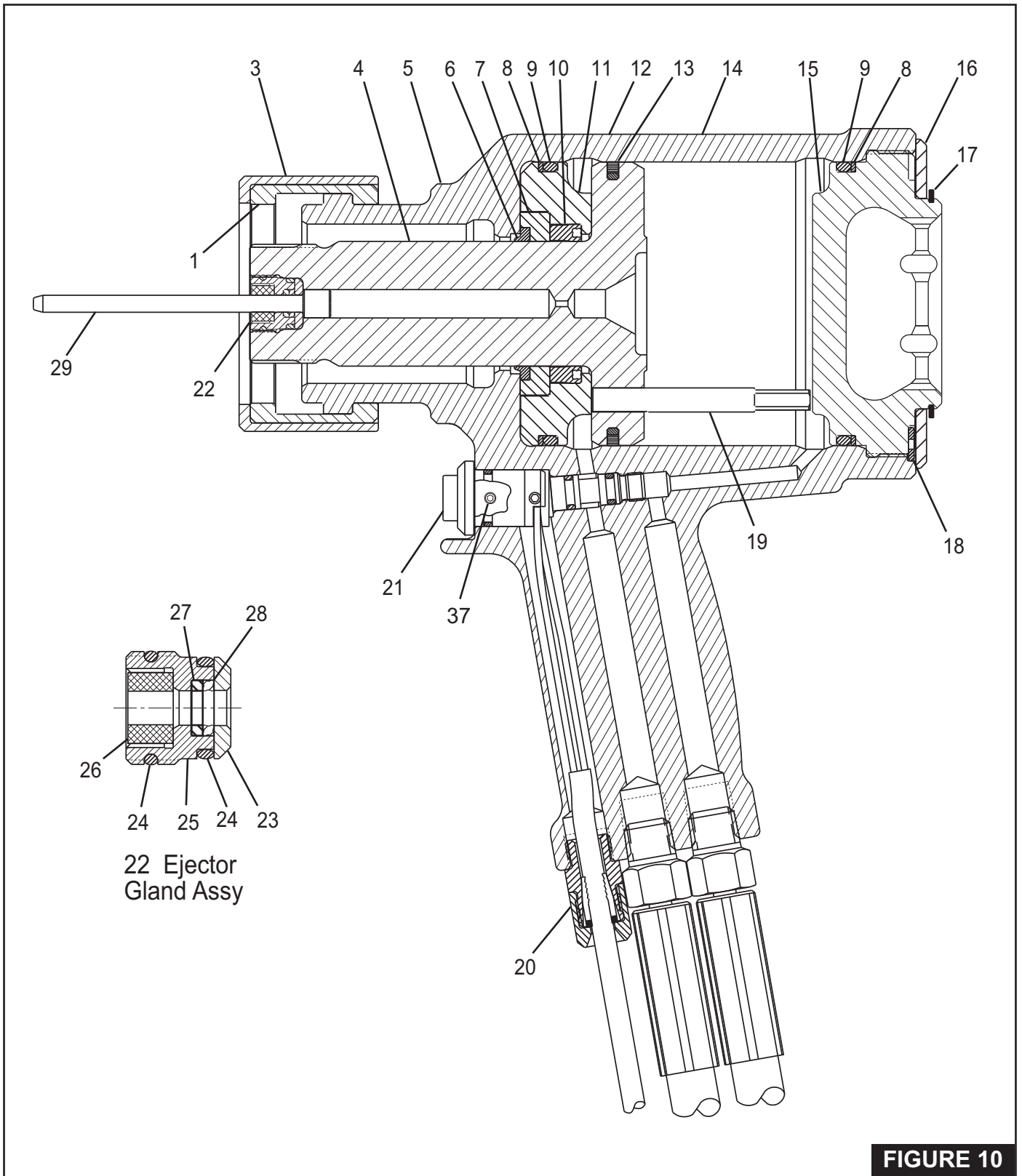


FIGURE 10

ASSEMBLY DRAWING 2630 AND 2630RR

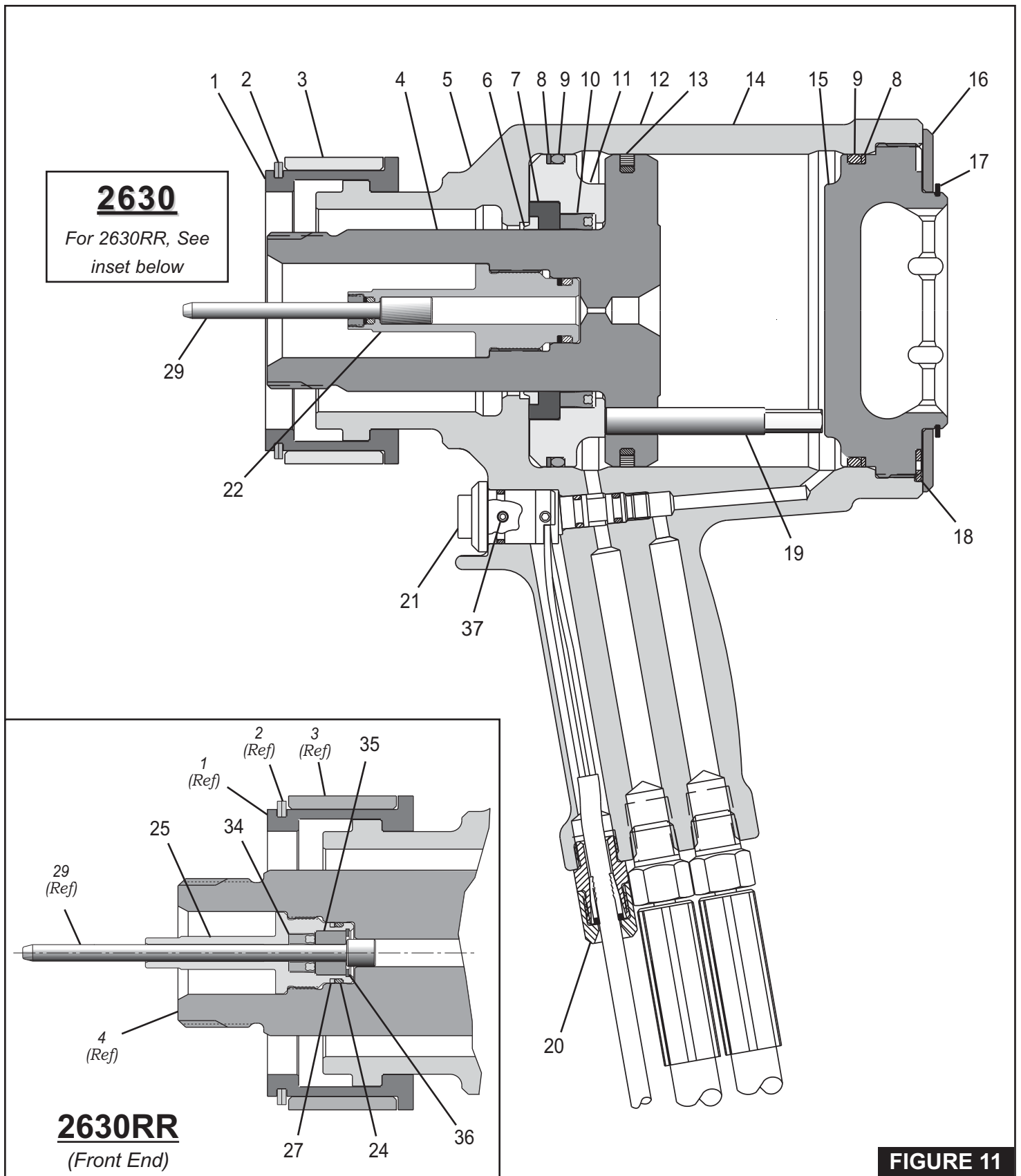


FIGURE 11

PARTS LIST

ITEM	DESCRIPTION	QTY	2624 2624-15	2624HS	2624XPL	2628 2628-15	2630	2630RR
1	Split Ring	1	100247	100247	100247	100247	101394	101394
2	Retaining Ring	1	-----	-----	-----	-----	501533	501533
3	Retaining Sleeve	1	100248	100248	100248	100248	101395	101395
4	Piston	1	125685*	127224	125685-1	126193**	126958	127274
5	Cylinder Assembly	1	126108	126108	126108	126197	126966	126966
6	Wiper Seal	1	506001	506001	506001	506001	506174	506174
7	Wiper Housing	1	125683	125683	125683	125683	126962	126962
8	Back-up Ring	2	125691	125691	125691	501160	501164	501164
9	O-ring	2	500862	500862	500862	500865	500869	500869
10	Polyseal	1	507417	507417	507417	507417	506171	506171
11	Front Gland	1	125682	125682	125682	126195	126959	126959
12	Caution Sticker	1	590189-1	590189-1	590189-1	590189-2	590189-2	590189-2
13	GLYD Ring Assembly	1	122769-2	122769-2	122769-2	122769-3	122769-4	122769-4
14	Warning Sticker	1	590247	590247	590247	590247	590247	590247
15	End Cap	1	125687	127225	125687	126194	126961	126961
16	Cover Plate	1	125690	-----	125690	126196	126963	126963
17	Retaining Ring	1	507418	-----	507418	507418	506838	506838
18	Locking Disc	1	122764	122764	122764	122764	122764	122764
19	Dump Valve	1	125689	125689	125689	126198	126960	126960
20	Strain Relief or Air Fitting	1	505344	505344	505344	505344	505344	505344
21	Trigger Switch Assembly	1	120361	120361	120361	120361	120361	120361
22	Ejector Gland Assembly	1	120653	-----	-----	120653	123357	122998
23	Ejector Washer	1	120652	-----	-----	120652	-----	-----
24	O-ring	2	500779	-----	-----	500779	-----	500781
25	Gland	1	122047	-----	-----	122047	-----	122996
26	Rod Wiper	1	122742	-----	-----	122742	-----	-----
27	Back-up Ring	1	501080	-----	-----	501080	-----	501087
28	Quad-Ring	1	501411	-----	-----	501411	-----	-----
29	Pintail Ejector	1	122705	-----	-----	122705	122709-1	122705-1
30	Retainer	1	-----	127226	-----	-----	-----	-----
31	Screws	3	-----	500060	-----	-----	-----	-----
32	Deflector	-	-----	-----	-----	-----	-----	-----
33	Wiper Seal	1	-----	505894	-----	-----	-----	-----
34	Polyseal	1	-----	506160	-----	-----	-----	506170
35	Spacer	1	-----	122762	-----	-----	-----	122997
36	Retaining Ring	1	-----	506159	-----	-----	-----	506169
37	Set Screw	1	501731	501731	501731	501731	501731	501731
38	Drive Bar	1	-----	127227	-----	-----	-----	-----

* Piston 125685 is not sold separately. It may be purchased as Piston Assembly part no. 125686, which contains Piston 125685 and GLYD Ring Assembly 122769-2.

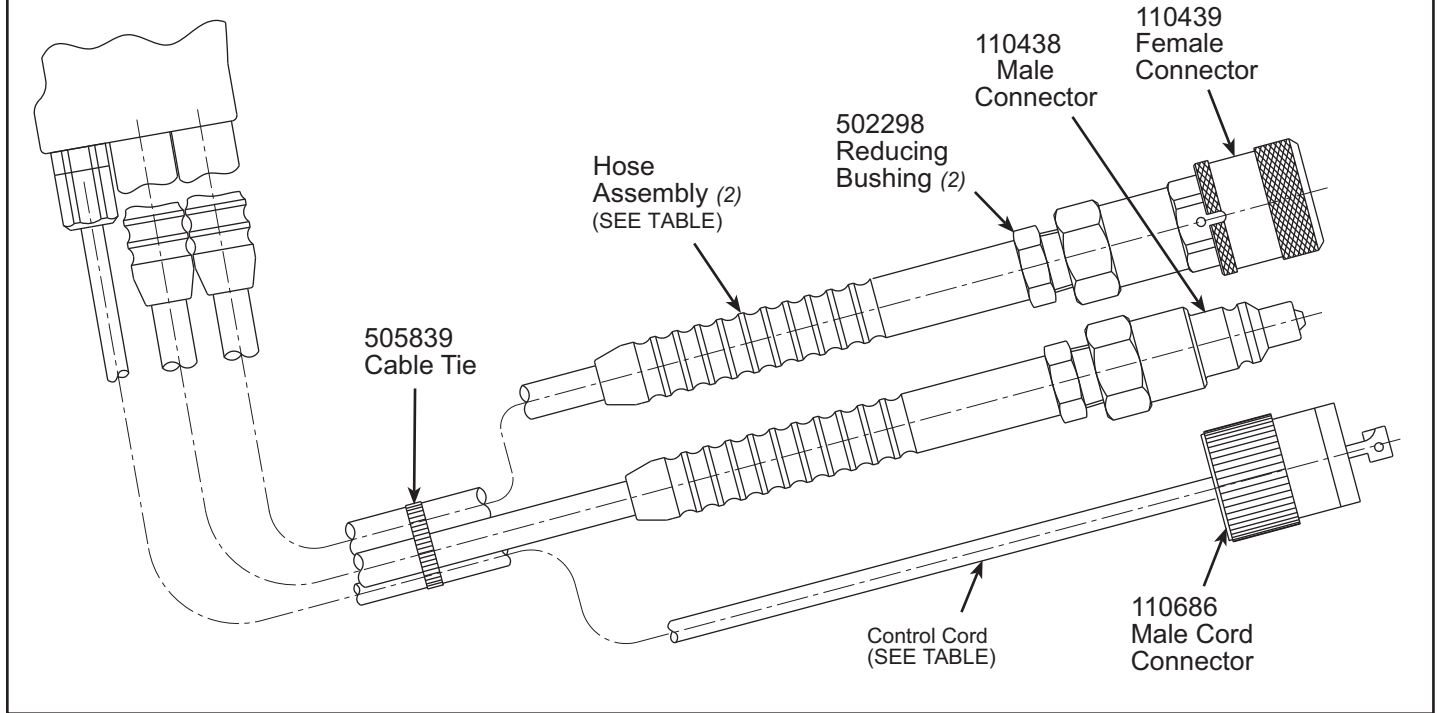
** Piston 126193 is not sold separately. It may be purchased as Piston Assembly part no. 126202, which contains Piston 126193 and GLYD Ring Assembly 122769-3.

HOSE ASSEMBLY FOR ALL MODELS

FIG 12

MODEL SELECTION TABLE

MODEL(S)	HOSE ASSEMBLY	CONTROL CORD
2624, 2628, 2630	126107-1	123337
2624HS, 2624XPL, 2624-15, 2628-15	126107-2	123336
2630RR	126107-1	123337-1

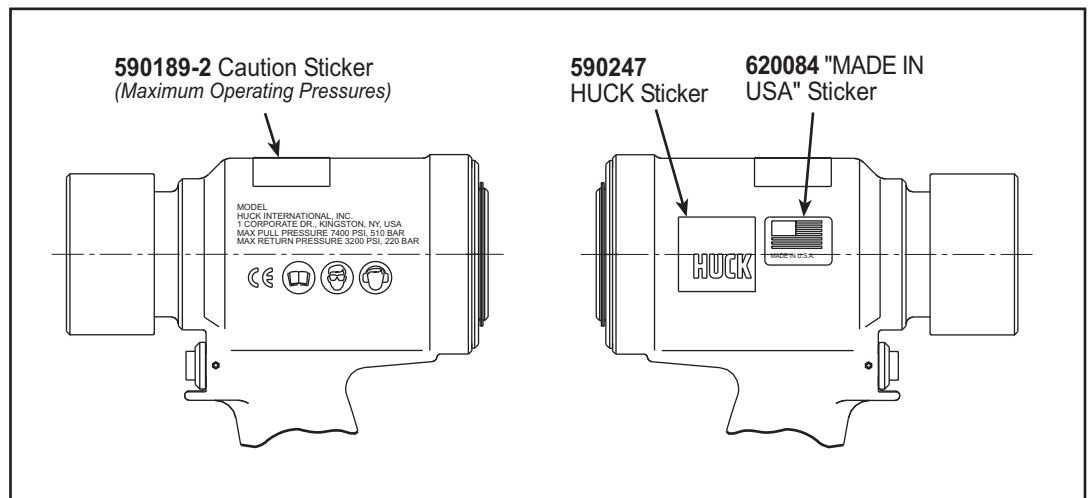


NOTES

Use this section to record any notes you need regarding your tool(s).

STICKER LOCATIONS

The 2600 series tools come labeled with important stickers, which contain safety and pressure settings information. It is necessary that these stickers remain on the tools and are easily read. If stickers become damaged or worn, or if they have been removed from the tool, they must be replaced. The part numbers are shown in the drawing below.



KITS AND ACCESSORIES

SERVICE KITS:

- 2624 - 2624KIT
- 2624HS - 2624HSKIT
- 2628 - 2628KIT
- 2630 - 2630KIT

ASSEMBLY TOOL KITS:

- 2624 & 2624HS Assembly Tool Kit** - 123110-9
Includes: (Fig. 3 & 6))
 - Spacer - 123112-7
 - Piston Assembly Tool - 123111-7
 - GLYD Ring Insertion Tool - 121694-2624
- 2628 Assembly Tool Kit** - 123110-12
Includes: (Fig. 3 & 6))
 - Spacer - 123112-7
 - Piston Assembly Tool - 123111-7
 - GLYD Ring Insertion Tool - 121694-2628
- 2630 Assembly Tool Kit** - 123110-13
Includes: (Fig. 3 & 6))
 - Spacer - 123112-9
 - Piston Assembly Tool - 123111-9
 - GLYD Ring Insertion Tool - 121694-2630

ACCESSORIES:

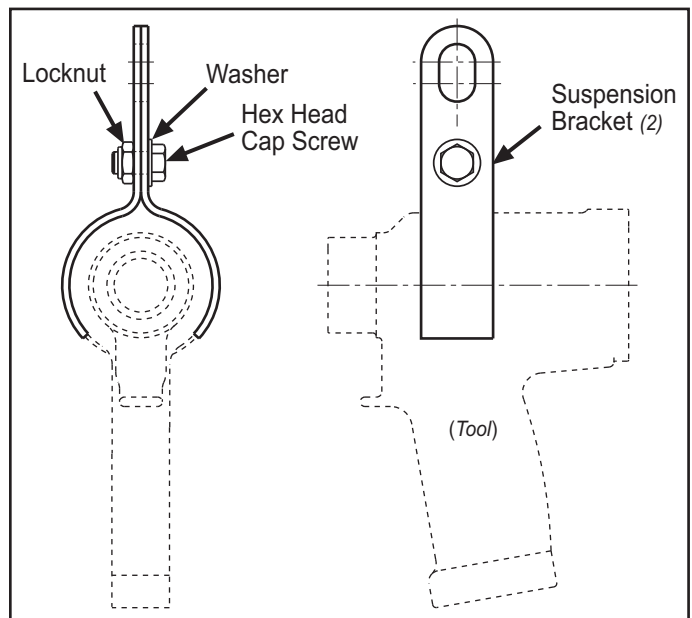
- Ejector Hex Wrench** (All Models)- 122048
- End Cap Hex Wrench**
 - 2620 & 2620-PT - 124434-1
 - 2620-PT/A2620-PT - 124434-1

- Remote Trigger** (All Models) - 123381-24

Suspension Brackets

Now available for the 2600 style tools are Suspension Bracket Assemblies which enable a user to install fasteners with increased ergonomic flexibility. Each Bracket Assembly contains the Bracket and Hardware as shown in the figure below.

- 2624 series - 127400-2624
- 2628 series - 127400-2628
- 2630 series - 127400-2630



TROUBLESHOOTING

Always check the simplest possible cause of a malfunction first (example: a loose or disconnected trigger line). Then proceed logically and eliminate each possible cause until the defect is found. Where possible, substitute known good parts for suspected defective parts. Use the following steps as an aid in troubleshooting.

1. *Tool fails to operate when trigger is pressed.*
 - a. Inoperative POWERIG® Hydraulic Unit. See applicable instruction manual.
 - b. Loose electrical connections.
 - c. Damaged trigger assembly.
 - d. Loose or faulty hose coupling.
2. *Tool operates in reverse.*
 - a. Reversed hose connections between hydraulic unit and tool.
3. *Tool leaks hydraulic fluid.*
 - a. Defective tool O-rings or loose connections at tool.
4. *Hydraulic couplers leak fluid.*
 - a. Damaged or worn O-rings in Coupler Body Coupler
5. *Hydraulic fluid overheats.*
 - a. Unit not operating properly. See units manual.
 - b. Unit running in reverse (918; 918-5 only). See unit's manual.
6. *Tool operates erratically and fails to install fastener properly.*
 - a. Low or erratic hydraulic pressure. Air in system.
 - b. Damaged or worn Piston O-ring in tool.
 - c. Excessive wear on sliding surfaces of tool parts.
7. *Pull grooves on fastener pintail stripped during PULL stroke.*
 - a. Operator not sliding anvil completely onto fastener pintail.
 - b. Incorrect fastener grip.
 - c. Worn or damaged jaw segments.
 - d. Metal particles in jaw grooves.
 - e. Excessive sheet gap.
8. *Collar of fastener not completely swaged.*
 - a. Improper tool operation. See No. 6.
 - b. Scored anvil.
9. *Tool "hangs up" on swaged collar of fastener.*
 - a. Improper tool operation. See No. 6.
 - b. RETURN pressure too low.
 - c. Not enough collar lubricant.
 - d. Nose assembly not installed correctly.
10. *Pintail of fastener fails to break.*
 - a. Improper tool operation. See No. 6.
 - b. Pull grooves on fastener stripped. See No. 7.
 - c. PULL pressure too low.
11. *Nose will not release broken pintail.*
 - a. Nose assembly not installed correctly.

NOTES

Use this section to record any notes you need regarding your tool(s).

LIMITED WARRANTIES

Tooling Warranty: Huck warrants that tooling and other items (excluding fasteners, and hereinafter referred as "other items") manufactured by Huck shall be free from defects in workmanship and materials for a period of ninety (90) days from the date of original purchase.

Warranty on "non standard or custom manufactured products": With regard to non-standard products or custom manufactured products to customer's specifications, Huck warrants for a period of ninety (90) days from the date of purchase that such products shall meet Buyer's specifications, be free of defects in workmanship and materials. Such warranty shall not be effective with respect to non-standard or custom products manufactured using buyer-supplied molds, material, tooling and fixtures that are not in good condition or repair and suitable for their intended purpose.

THERE ARE NO WARRANTIES WHICH EXTEND BEYOND THE DESCRIPTION ON THE FACE HEREOF. HUCK MAKES NO OTHER WARRANTIES AND EXPRESSLY DISCLAIMS ANY OTHER WARRANTIES, INCLUDING IMPLIED WARRANTIES AS TO MERCHANTABILITY OR AS TO THE FITNESS OF THE TOOLING, OTHER ITEMS, NONSTANDARD OR CUSTOM MANUFACTURED PRODUCTS FOR ANY PARTICULAR PURPOSE AND HUCK SHALL NOT BE LIABLE FOR ANY LOSS OR DAMAGE, DIRECTLY OR INDIRECTLY, ARISING FROM THE USE OF SUCH TOOLING, OTHER ITEMS, NONSTANDARD OR CUSTOM MANUFACTURED PRODUCTS OR BREACH OF WARRANTY OR FOR ANY CLAIM FOR INCIDENTAL OR CONSEQUENTIAL DAMAGES.

Huck's sole liability and Buyer's exclusive remedy for any breach of warranty shall be limited, at Huck's option, to replacement or repair, at FOB Huck's plant, of Huck manufactured tooling, other items, nonstandard or custom products found to be defective in specifications, workmanship and materials not otherwise the direct or indirect cause of Buyer supplied molds, material, tooling or fixtures. Buyer shall give Huck written notice of claims for defects within the ninety (90) day warranty period for tooling, other items, nonstandard or custom products described above and Huck shall inspect products for which such claim is made.

Tooling, Part(s) and Other Items not manufactured by Huck.

HUCK MAKES NO WARRANTY WITH RESPECT TO THE TOOLING, PART(S) OR OTHER ITEMS MANUFACTURED BY THIRD PARTIES. HUCK EXPRESSLY DISCLAIMS ANY WARRANTY EXPRESSED OR IMPLIED, AS TO THE CONDITION, DESIGN, OPERATION, MER-

CHANTABILITY OR FITNESS FOR USE OF ANY TOOL, PART(S), OR OTHER ITEMS THEREOF NOT MANUFACTURED BY HUCK. HUCK SHALL NOT BE LIABLE FOR ANY LOSS OR DAMAGE, DIRECTLY OR INDIRECTLY, ARISING FROM THE USE OF SUCH TOOLING, PART(S) OR OTHER ITEMS OR BREACH OF WARRANTY OR FOR ANY CLAIM FOR INCIDENTAL OR CONSEQUENTIAL DAMAGES.

The only warranties made with respect to such tool, part(s) or other items thereof are those made by the manufacturer thereof and Huck agrees to cooperate with Buyer in enforcing such warranties when such action is necessary.

Huck shall not be liable for any loss or damage resulting from delays or nonfulfillment of orders owing to strikes, fires, accidents, transportation companies or for any reason or reasons beyond the control of the Huck or its suppliers.

Huck Installation Equipment

Huck International, Inc. reserves the right to make changes in specifications and design and to discontinue models without notice.

Huck Installation Equipment should be serviced by trained service technicians only.

Always give the Serial Number of the equipment when corresponding or ordering service parts.

Complete repair facilities are maintained by Huck International, Inc. Please contact one of the offices listed below.

Eastern

One Corporate Drive Kingston, New York 12401-0250
Telephone (845) 331-7300 FAX (845) 334-7333

Canada

6150 Kennedy Road Unit 10, Mississauga, Ontario, L5T2J4, Canada.
Telephone (905) 564-4825 FAX (905) 564-1963

Outside USA and Canada

Contact your nearest Huck International Office, see back cover.

In addition to the above repair facilities, there are Authorized Tool Service Centers (ATSC's) located throughout the United States. These service centers offer repair services, spare parts, Service Parts Kits, Service Tools Kits and Nose Assemblies. Please contact your Huck Representative or the nearest Huck office listed on the back cover for the ATSC in your area.



For the Long Haul™

A Global Organization

Alcoa Fastening Systems (AFS) maintains company offices throughout the United States and Canada, with subsidiary offices in many other countries. Authorized AFS distributors are also located in many of the world's

industrial and Aerospace centers, where they provide a ready source of AFS fasteners, installation tools, tool parts, and application assistance.

Alcoa Fastening Systems world-wide locations:

Americas

Alcoa Fastening Systems
Aerospace Products
Tucson Operations
3724 East Columbia
Tucson, AZ 85714
800-234-4825
520-747-9898
FAX: 520-748-2142

Alcoa Fastening Systems
Aerospace Products
Carson Operations
PO Box 5268
900 Watson Center Rd.
Carson, CA 90749
800-421-1459
310-830-8200
FAX: 310-830-1436

Alcoa Fastening Systems
Commercial Products
Waco Operations
PO Box 8117
8001 Imperial Drive
Waco, TX 76714-8117
800-388-4825
254-776-2000
FAX: 254-751-5259

Alcoa Fastening Systems
Commercial Products
Kingston Operations
1 Corporate Drive
Kingston, NY 12401
800-431-3091
845-331-7300
FAX: 845-334-7333
www.hucktools.com

Alcoa Fastening Systems
Commercial Products
Canada Operations
6150 Kennedy Road, Unit 10
Mississauga, Ontario L5T2J4
Canada
905-564-4825
FAX: 905-564-1963

Alcoa Fastening Systems
Commercial Products
Latin America Operations
Avenida Parque Lira. 79-402
Tacubaya Mexico, D.F.
C.P. 11850
FAX: 525-515-1776
TELEX: 1173530 LUKSME

Far East

Alcoa Fastening Systems
Commercial Products
Australia Operations
14 Viewtech Place
Rowville, Victoria
Australia 3178
03-764-5500
Toll Free: 008-335-030
FAX: 03-764-5510

Europe

Alcoa Fastening Systems
Commercial Products
United Kingdom Operations
Unit C, Stafford Park 7
Telford, Shropshire
England TF3 3BQ
01952-290011
FAX: 0952-290459

Alcoa Fastening Systems
Aerospace Products
France Operations
Clos D'Asseville
BP4
95450 Us Par Vigny
France
33-1-30-27-9500
FAX: 33-1-34-66-0600



Alcoa Fastening Systems



For The Long Haul, The Future of Fastening Technology, The Future of Assembly Technology, The Future of Tooling Technology, and Tools of Productivity are service marks of Huck International. Huck provides technical assistance regarding the use and application of Huck fasteners and tooling.

NOTICE: The information contained in this publication is only for general guidance with regard to properties of the products shown

and/or the means for selecting such products, and is not intended to create any warranty, express, implied, or statutory; all warranties are contained only in Huck's written quotations, acknowledgements, and/or purchase orders. It is recommended that the user secure specific, up-to-date data and information regarding each application and/or use of such products.

HWB898 1003-5M

One Great ConnectionSM