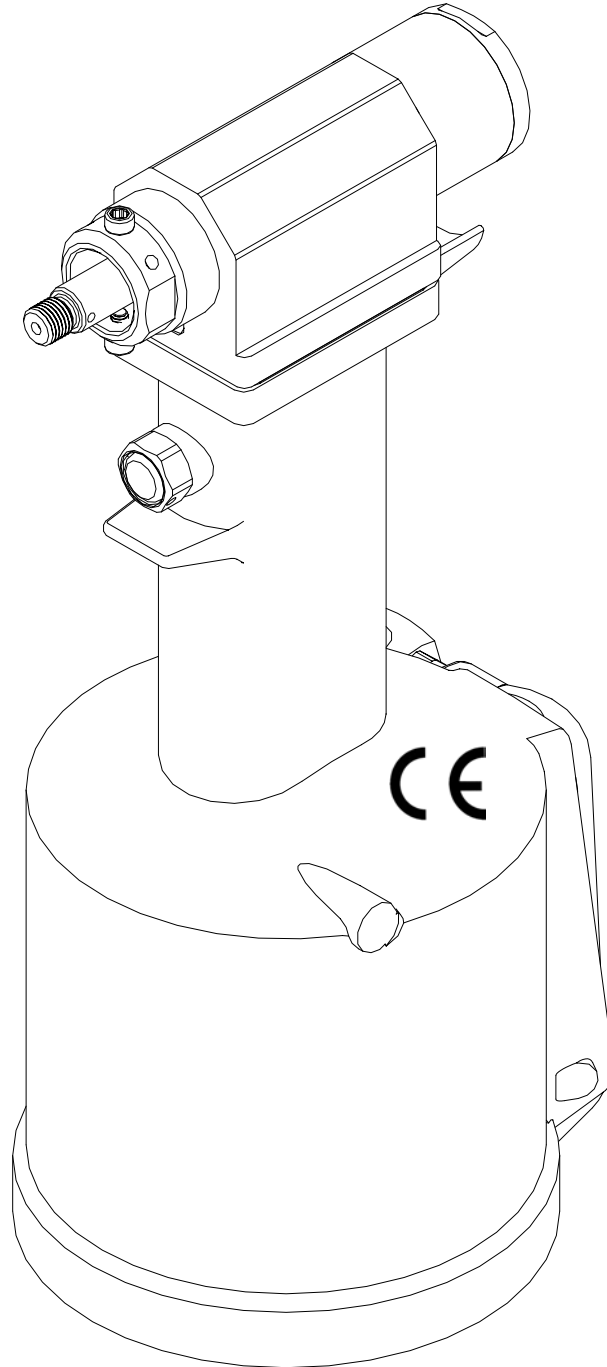


GB740

INSTALLATION TOOL



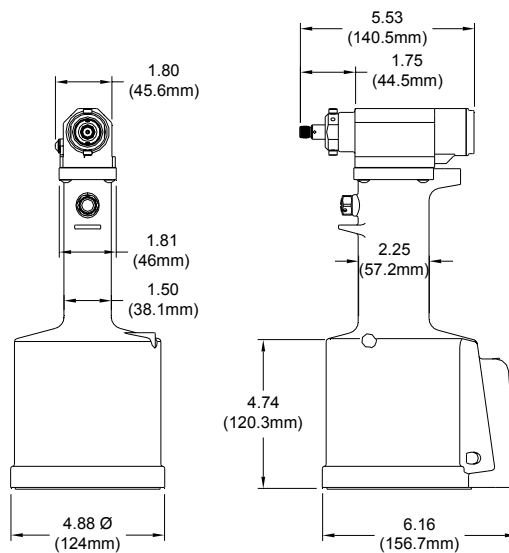
GAGE BILT
MADE IN U.S.A.

GAGE BILT Inc.

44766 Centre Court (586) 226-1500
Clinton Twp. MI 48038 (586) 226-1505 Fax
e-mail: solutions@gagebilt.com / www.gagebilt.com

TABLE OF CONTENTS

<u>Description</u>	<u>Page</u>
Warnings.....	3
Description, Operation and Maintenance.....	4
Filling, Bleeding and Troubleshooting.....	5
Parts Breakdown.....	6
Parts List.....	7
Overhaul and Disassembly.....	8
Nose Assembly Selection Chart.....	9
EU Conformity and Warranty.....	10



SPECIFICATIONS

- Weight** - 6.50 lbs.
- Air pressure req'd** - 90-100 p.s.i.
- Air consumption** - .29 SCF/cycle (8.21 L/cycle)
- Hydraulic fluid** - Automatic Transmission Fluid, Dexron® III, or equivalent.
- Setting stroke** - 1.25"
- Noise level** - Less than 80 dB (A)
- Rated pull load** - 2,400 lbs.
- Vibration** - less than 2.5 M/S²



NOTE:

PLEASE READ THIS MANUAL BEFORE SERVICING OR USING THIS TOOL. COMPLETE WITH WARNINGS AND CAUTIONS TO PREVENT SEVERE PERSONAL INJURY OR DAMAGE THE TOOL.



CAUTION:

GAGE BILT TOOLS ARE APPROVED TO INSTALL HUCK®, AVDEL®, CHERRY®, POP® AND OTHER FASTENERS WHEN USED BY PERSONS WITH SPECIFIC TRAINING OF BLIND RIVET AND LOCKBOLT INSTALLATION EQUIPMENT.

WARNING

Do not pull fastener unless it is placed in an assembly, pin will eject forcibly when pintail breaks off. Severe personal injury may result.

WARNING

Do not operate without Stat-O-Seal (3) and cap screw (2). Pressurized hydraulic fluid may cause severe personal injury.

WARNING

When operating installation equipment always wear approved eye protection. Do not look in front of nose assembly or rear of tool when installing fastener.

WARNING

Always disconnect tool from power before performing any maintenance to any tool or nose assembly. Ensure that all connections are proper and there are no visible leaks from tool or hoses before connecting to power.

WARNING

Do not operate if deflector, bottle, catcher bag or vacuum tube is removed or damaged, broken pintails may eject forcibly from rear of tool. Severe personal injury may result.

CAUTION

Ensure that nose assembly and tip are properly matched for the fastener being installed.

WARNING

Installation of fasteners may exceed acceptable noise levels. Use approved hearing protection.

WARNING

Be sure there is adequate clearance for tool and operator's hands before proceeding. Keep fingers clear of any moving parts. Keep fingers clear from fasteners and installed materials. Severe personal injury may result.

CAUTION

Keep Nose Assemblies clean and free of chips and debris.

WARNING

Air pressure not to exceed 100 p.s.i.

DESCRIPTION

The GB740 is a pneumatic-hydraulic tool designed specifically for the efficient installation of 1/4" CHERRYMAX® & AllMax® rivets, as well as a wide range of blind rivets. It weighs just over 7 lbs. and can be operated in any position with one hand. It has a 1.250" rivet setting stroke and a rated pull load of 2400 pounds on 90 psi air pressure at the air inlet.

The GB740 riveter operates on a wide range of air pressure, with 90 to 100 psi providing the maximum efficiency. At 90 psi. air pressure, the GB740 does not exceed 85 db (A) and consumes 6.5 cfm at 20 cycles per minute.

The air inlet is provided with 1/4-18 female pipe threads for accepting the user's air hose fitting.

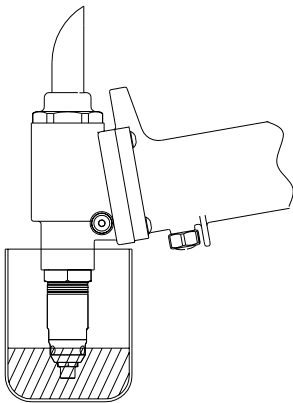
NOSE ASSEMBLIES ARE NOT FURNISHED WITH THIS RIVETER AND MUST BE ORDERED SEPARATELY. (See page 8 for nose assembly recommendations.)

MAINTENANCE

The performance of any tool depends upon good maintenance practices. Following these minimal requirements for service and care will extend the life of your tool.

- *Only use an air supply set at 90-100 psi. equipped with a filter-regulator to prevent wear.
- *The tool will eventually lose some hydraulic oil. Keep the hydraulic system full and free of air by using the air bleeder (53) on a regular basis.
- *Proper care by operator is necessary in maintaining full productivity and reducing downtime. Read all applicable tool manuals and nose assembly data sheets prior to operating tools.
- *Keep nose assemblies, especially jaws, clean and free of chips and debris. Lube jaws and collet surface jaws ride on with light machine oil.
- *For a complete overhaul, tool kit GBP740TK is recommended. It includes items 46-52.

CLEANING AND LUBRICATING PROCEDURE



Daily cleaning and lubrication of nose assembly will greatly reduce downtime and increase life of components. Using sewing machine oil, or an equivalent cleaner/lubricant, follow instructions below.

1. Disconnect tool vacuum line (if equipped).
2. Point nose assembly into oil as shown.
3. Cycle tool 8-10 times and wipe dry.

TORQUE SPECIFICATIONS

Button Head Cap Screws (17) = 40 inch lbs.
Packing Plug (38) = 45 foot lbs.
Flexlock Nut (42) = 40 inch lbs.

FILLING AND BLEEDING TOOL

WARNING

DO NOT CYCLE TOOL WITHOUT AIR BLEEDER, OR THE SCREW AND STAT-O-SEAL, INSTALLED IN TOOL HEAD. SEVERE PERSONAL INJURY MAY RESULT.

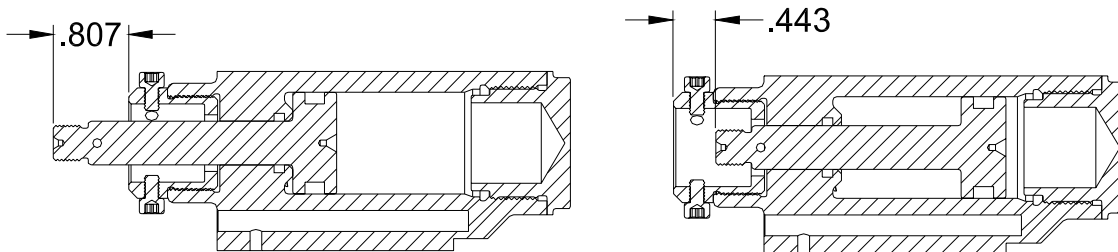
CAUTION

BEFORE FILLING HANDLE, AIR PISTON SHOULD BE ALL THE WAY DOWN.

To replace a small amount of oil in the tool, attach the air bleeder and connect tool to air line. Cycle a number of times. Disconnect air, remove the air bleeder, and reinstall the cap screw. This will insure the removal of any air from the hydraulic system and its replacement with fluid.

Should it become necessary to completely refill the tool (such as would be required after tool has been dismantled and reassembled), take the following steps after depressing trigger **AND DISCONNECTING THE AIR SUPPLY**:

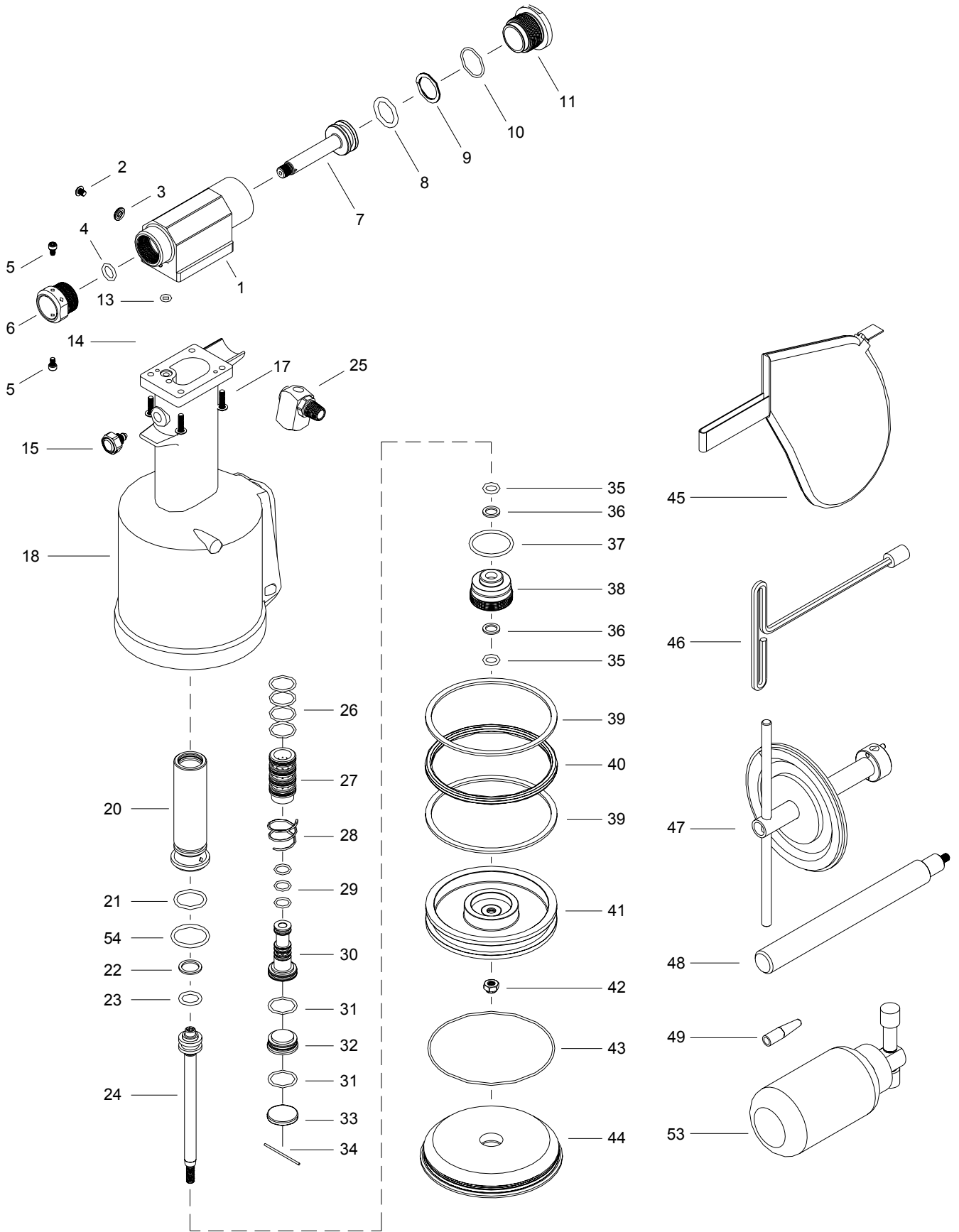
1. Remove head assembly from handle assembly. Slowly push piston completely forward.
2. Fill the oil passage on top of handle with automatic transmission fluid, DEXRON III or equivalent. When looking at the top of the handle, the oil passage is the hole that is counterbored for S832 (13) o'ring.
3. Replace head assembly with care, insuring gasket (14) and o'ring (13) are properly installed. Tighten cap screws (17) uniformly to prevent leakage around gasket.
4. Remove screw (2) and stat-o-seal (3) install bleeder bottle (53) and connect tool to air line, cycle ten to twenty times to fully circulate fluid through hydraulic system.
5. **DISCONNECT AIR FROM TOOL.** Remove bleeder bottle (53) install screw (2) and stat-o-seal (3). Reconnect air and cycle tool 10 more times. Check tool stroke, if stroke doesn't check 1.250" (See figures below) repeat steps 4 & 5.



TROUBLE SHOOTING

Providing all maintenance conditions have been met, follow this systematic approach to diagnosis.

1. MORE THAN ONE PULL IS REQUIRED TO BREAK RIVET.
 - a) Tool needs to be bled. (See filling and bleeding instructions.)
 - b) Spring has fatigued, replace.
 - c) Jaws are stripped or packed with chips. Clean or replace.
2. SLOW OR PARTIAL OPERATION WHEN THE TRIGGER IS DEPRESSED
 - d) Head Piston Rings (8) and (9) could be worn or damaged. Replace.
 - e) Piston Rod Rings (22) and (23) could be worn or damaged. Replace.
 - f) Muffler (33) or filter inside spool (30) may be plugged with dirt. Clean thoroughly and back-blow with compressed air.
 - g) Hole in metering screw in valve spool (30) may be blocked or damaged. Hole diameter should be .028". Clear and size or replace.
3. NO OPERATION WHEN TRIGGER IS DEPRESSED
 - a) Tool seized due to mechanical failure or damaged parts.
4. OIL LEAKAGE
 - a) **DO NOT OPERATE WITH OIL LEAKING FROM TOOL. HIGH PRESSURE OIL MAY CAUSE SEVERE PERSONAL INJURY.**
 - b) Any oil leaking externally should be traced to its source. An o'ring or seal that leaks should be replaced.
5. AIR BYPASS FROM VALVE HOUSING
 - a) If the spring (28) breaks or dislodges, air will flow freely through the muffler (33). Replace or reset. Valve spring installation tool (51) is recommended.
 - b) Check o'rings on valve sleeve (27), valve spool (30), and valve plug (32). If worn or damaged, replace. Valve sleeve removal tool (52) is recommended.
6. FASTENER STEM JAMMED IN NOSE ASSEMBLY
 - a) Nose assembly components require service. **DISCONNECT AIR FROM TOOL**, remove the nose from the tool and disassemble. Replace worn or broken parts. Clean the surface the jaws ride on.
 - b) Stems lodged side by side in the follower. Disassemble, remove stems, and reassemble.



GB740 Parts List

Ref. No.	Part Number	Description	Qty.
1	740109	Head Cylinder Assembly	1
2*	402482	Button Head Socket Screw	1
3*	S572	Stat-O-Seal	1
4*	S945	O'Ring	1
5*	401208	Socket Head Cap Screw	2
6	740101	Nose Fitting	1
7*	740308	Piston	1
8*	A-294	O'Ring	1
9*	S108	Back-Up Ring	1
10*	400787	O'Ring	1
11	740112	Cap	1
13*	S832	O'Ring	1
14*	704129	Gasket	1
15	704130	Trigger Assembly (Inc. 16)	1
16*	400773	O'Ring	1
17*	402479	Socket Head Cap Screw	4
18	744129	Handle	1
20	743131	Power Cylinder	1
21*	403805	O'Ring	1
22*	S908	Back-Up Ring	1
23*	A-201	O'Ring	1
24	740136	Piston Rod Assembly (Inc. 22 & 23)	1
25	A-249	Swivel	1
26*	400784	O'Ring	4
27	743144	Valve Sleeve	1
28*	744144	Spring	1
29*	400779	O'Ring	3
30	743142	Valve Spool Assembly	1
31*	400785	O'Ring	2
32	744142	Valve Plug	1
33*	744143	Muffler	1
34*	744149	Pin	1
35*	A-287	O'Ring	2
36*	S115	Back-Up Ring	2
37*	A-271	O'Ring	1
38	744118	Packing Plug	1
39*	S909	Back-Up Ring	2
40*	401462	Quad Ring	1
41	744121	Air Piston Assembly	1
42*	400559	Flexlock Nut	1
43*	S12	O'Ring	1
44	744124	Base Cover	1
45**	704214	Stem Catcher Bag	1
46**	704149	Piston Rod Wrench	1
47**	704150	Packing Plug Wrench	1
48**	704151	Power Cylinder Tool	1
49**	704152	Seal Guide	1
50**	S1178	Valve Extractor	1
51**	744151	Valve Spring Installation Tool (Not Shown)	1
52**	744152	Valve Sleeve Removal Tool (Not Shown)	1
53**	704153	Air Bleeder	1

*Service Kit 740003 contains a complete set of O'Rings, Back-Up Rings, Screws and Gaskets. These items should be kept on hand at all times.

**Ref No. 45-53 are not furnished. 46-53 are recommended for complete tool overhaul.

OVERHAUL

The disassembly and re-assembly procedure can be accomplished by utilizing the following instructions and drawings. Use extreme care during disassembly and re-assembly not to mar or nick any smooth surface that comes in contact with seals. Before installing seals, always apply a good lubricant, such as Lubriplate®, to the surfaces. It is recommended that tool kit (GBP740TK) be used to facilitate overhaul. It includes items (46-52). A complete overhaul can be achieved by the use of Service Kit 740002 which contains a complete set of o-rings, back-up rings, screws, washers and gasket.

WARNING

DEPRESS TRIGGER AND DISCONNECT FROM AIR WITH HEAD PISTON IN THE REAR POSITION BEFORE OVERHAUL. SEVERE PERSONAL INJURY MAY OCCUR IF AIR HOSE IS NOT DISCONNECTED. USE CAUTION WHEN FORCING PISTON ROD ASSEMBLY DOWNWARD WITH HEAD ASSEMBLY REMOVED, HYDRAULIC FLUID WILL EJECT FORCIBLY FROM HANDLE.

HEAD

Remove nose assembly from tool before attempting disassembly of head assembly.

Remove end cap (11). Push against threaded end of head piston (7) to slide it out of head cylinder (1). Be careful not to damage threads or cause burrs on polished piston rod surface.

The re-assembly sequence is the opposite of disassembly. (See Filling and Bleeding instructions.) Apply Loctite® #242 and torque the four button-head cap screws (17) uniformly to 40 inch lbs. to prevent leakage around the gasket.

HANDLE

To inspect air cylinder bore, remove parts (43) and (44). Any further disassembly will require removal of the head assembly first. For complete disassembly, start by removing parts (43) and (44). Next, holding tool upright, remove four button-head cap screws (17). Lift head assembly from handle (18) and set aside o-ring (13) and gasket (14). Empty all hydraulic fluid into a container. Place piston rod wrench (46) down into top of power cylinder, into the hex of piston rod assy. (24). While holding this wrench, remove flexlock nut (42) using a 7/16" socket wrench. Still holding piston rod wrench, remove air piston (41) using packing plug wrench (47), by turning counterclockwise. When air piston is completely free from piston rod, tap or push on the piston rod wrench to eject air piston from bottom of handle. After removal of air piston, slide piston rod (24) back up to the end of its travel. Using packing plug wrench (47) remove packing plug (38). With packing plug removed, power cylinder (20) can be removed by pushing on power cylinder tool (48) when inserted into top of power cylinder.

To reassemble the handle, reverse the above procedure, being certain that all o-rings are properly lubricated before installation. Torque packing plug (38) to 45 foot lbs. Attach the seal guide (49) to the piston rod (24) and tap the piston rod through the packing plug (38). Attach air piston (41) and flexlock nut (42) torque flexlock nut (42) to 40 inch lbs. Attach air piston (41) to piston rod (24). With the piston rod in the down position, fill oil passage on top of handle with automatic transmission fluid, DEXRON III or equivalent, when looking at top of handle the oil passage is the hole that has a counterbore for S832 o-ring. Replace gasket (14) and o-ring (13), just prior to replacing head assembly. (See Filling & Bleeding instructions.)

AIR VALVE

To disassemble, first disconnect tool from its air source. Remove pin (34) and muffler (33). Insert valve extractor (50) into end of valve plug (32) and pull it out. Using the same procedure, pull out spool (30). NOTE: It should never be necessary to remove valve sleeve (27) unless the ports in the sleeve are plugged from contaminated air. If ports are plugged, use needle nose pliers to grasp end of spring (28), turning clockwise and pulling to dislodge from groove in casting. NOTE: 744151 valve spring tool will facilitate the proper installation of the spring (28), valve sleeve (27) can be pulled out using valve sleeve removal tool 744152.

GB740 SELECTION CHART

NOSE ASSEMBLY

FASTENER	DIA.	STRAIGHT	RIGHT ANGLE ^{1,2}	OFFSET ¹
MS20600 SERIES	1/8	4C-740B-52	4C-715B-44RA	4C-715-40OS
MS9SP/PT	5/32	5C-740B-52	5C-715B-44RA	5C-715-40OS
NUT PLATE	3/16	6C-740B-52	6C-715B-44RA	6C-715-40OS
BACR15CC/CF/DA/DR	1/4	8C-740B-52		
OLYMPIC LOK	1/8	4A-740B-52	4A-715B-44RA	4A-715-40OS
BULB LOK	5/32	5A-740B-52	5A-715B-44RA	5A-715-40OS
NAS1398A, NAS1399A	3/16	6A-740B-52	6A-715B-44RA	6A-715-40OS
NAS1738A, NAS1739A	1/4	8A-740B-52		
CHERRYLOCK	1/8	4C-640-64		
NAS1398, NAS 1399 ₃	5/32	5C-640-64		
NAS1738, NAS 1739 ₄	3/16	6C-640-64		
	1/4	8C-640-64		
GROUND STUD	#8-32	GS8-715B-43 ₁	GS8-715-54RA	GS8-715-40OS
M83454				
BACS53B1EA1/2	#10-32	GS10-715B-43 ₁	GS10-715-54RA	GS10-715A-40OS

CHERRYLOCK® IS A REGISTERED TRADEMARK OF CHERRY AEROSPACE. MONEL® IS A REGISTERED TRADEMARK OF SPECIAL METAL CORPORATIONS.

THE GAGE BILT GB740 TOOL IS APPROVED TO INSTALL THE ABOVE FASTENERS

1) REQUIRES 740715 ADAPTER.
2) RIGHT ANGLE NOSE ASSEMBLIES MAY REQUIRE MORE THAN 1 PULL.
3) 1/4 DIAMETER ALUMINUM & MONEL® ONLY.
4) THRU 3/16 DIAMETER ONLY.
*ALL COUNTERSUNK 'C' NOSE ASSEMBLIES MAY BE USED TO INSTALL BOTH UNIVERSAL AND COUNTERSUNK HEAD RIVETS.

NOTE: THE LAST 2 DIGITS OF THE NOSE ASSEMBLY REPRESENTS THE LENGTH THE NOSE
EXTENDS FROM THE TOOL. I.E. -52 = 5.2 INCHES

7/11

GAGE BILT




DECLARATION OF CONFORMITY

WE DECLARE THAT THE EQUIPMENT SPECIFIED HEREIN
CONFORMS TO THE FOLLOWING STANDARDS AND DIRECTIVES.

EN292 part 1 and part 2
ISO 8662 part 1
ISO 3744
COUNCIL DIRECTIVE: 89/392/EEC, 91/368/EEC
93/44/EEC, 93/68/EEC

EQUIPMENT DESCRIPTION:
GBP700 SERIES FASTENER INSTALLATION TOOLS

MANUFACTURER:
GAGE BILT Inc.

SIGNATURE: 

NAME: BRUCE T. GODFREY
CHAIRMAN
CLINTON TWP, MI U.S.A.
JUNE 2003

WARRANTY

Seller warrants that all goods covered by this catalog will conform to applicable specifications and will replace, or repair, F.O.B. our plant, any goods providing defective from faulty workmanship, or material, for 90 days from date of shipment.

Said warranty to remain in effect if and only if such goods are used in accordance with all instructions as to maintenance, operation, and use set forth in manuals and instruction sheets furnished by seller.

Sellers obligation under this warranty shall be limited to the repair or rework of the goods supplied or replacement thereof, at Seller's option, and in no case is to exceed the invoice value of said goods. Under no circumstances will seller be liable for incidental or consequential damages or for damages incurred by the buyer or subsequent user in repairing or replacing defective goods or if the goods covered by this warranty are reworked or subjected to any type of additional processing.

This warranty is void if Seller is not notified in writing of any rejections or defects within 90 days after the receipt of the material by the customer.

**THIS WARRANTY IS MADE IN LIEU OF ALL OTHER WARRANTIES,
EXPRESS OR IMPLIED, INCLUDING MERCHANTABILITY.**

DEXRON® IS A REGISTERED TRADEMARK OF GENERAL MOTORS CORPORATION. HUCK® IS A REGISTERED TRADEMARK OF ALCOA INC. AVDEL® IS A REGISTERED TRADEMARK OF AVDEL UK LIMITED. CHERRY® AND CHERRYMAX® ARE REGISTERED TRADEMARKS OF CHERRY AEROSPACE. POP® IS A REGISTERED TRADEMARK OF EMHART TEKNOLOGIES. ALLMAX® IS A REGISTERED TRADEMARK OF ALLFAST FASTENING SYSTEMS, INC. LUBRIPLATE® IS A REGISTERED TRADEMARK OF FISKE BROTHERS REFINING CO. LOCTITE® IS A REGISTERED TRADEMARK OF LOCTITE CORPORATION.